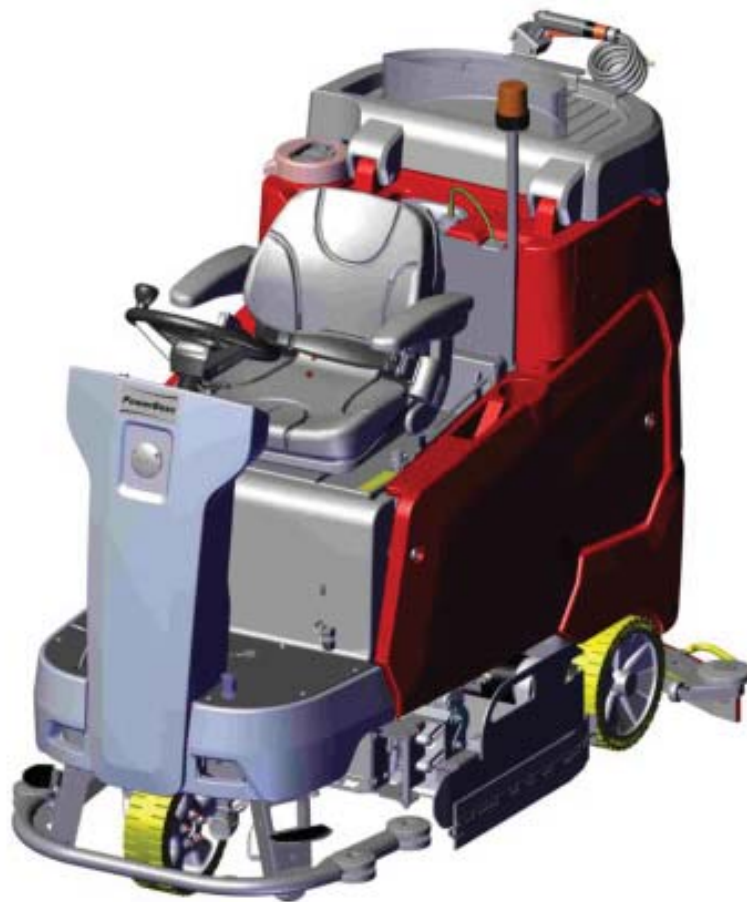


Parts Catalog

SM3346CSB Cylindrical Rider Scrubber



PREFACE

Thank you for your purchase of the new industry standard for scrubbers. PowerBoss® takes great pride in offering the most dependable, reliable and best value in industrial power scrubbers and sweepers. We set the standard.

Our Customer Service Department would like to hear from you. If you see any errors, omissions or something that needs clarification in this Parts Catalog please let us know. We are working hard towards continually improving our processes to bring you the best you deserve. Please copy the form below, fill out and comment on how you found our catalog.

Thank you!
The PowerBoss Team

Name: _____

Title: _____

Company Name: _____

Address: _____

Country: _____

Type of equipment or model number: _____

Comments: _____

Please return to:
Customer Service Manager
PowerBoss®, Minuteman International, Inc.
14N845 U.S. Route 20
Pingree Grove, Illinois 60140 USA

Phone: (800) 323-9420
Email: tech@powerboss.com

This is the Parts Catalog for the PowerBoss® B175R Cylindrical Rider Scrubber machine.

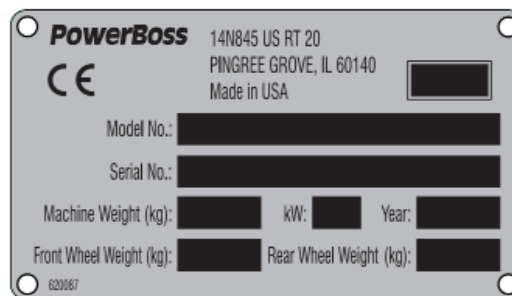
We believe this machine will provide excellent service for many years. Best results will be obtained if:

- The machine is operated with reasonable care.
- The machine is maintained regularly per the maintenance schedule provided in the User Manual.
- The machine is maintained with PowerBoss® supplied or equivalent parts.

All right side and left side references to the machine (except for engine) are determined by facing the direction of forward travel. The front of the engine or engine fan faces the front of the machine. Some hardware considered to be common or locally available has been omitted from the parts section to make this manual clear. Be sure to use equivalent hardware when replacement becomes necessary.

The Model and Serial Number of your machine is shown on the I.D. name plate. This information is needed when contacting Technical Support or when ordering parts. The I.D. plate is mounted on the left side wall of the operator seating area.

Example I.D Plate:



Parts may be ordered by phone, fax or e-mail from any PowerBoss® parts and service center. Before ordering parts or supplies, be sure to have your machine model number and serial number handy. For your convenience Fill out the data block below for future reference.

MACHINE DATA Fill out at installation	
Serial Number:	_____
Engine Serial Number:	_____
Sales Rep.:	_____
Date of Install:	_____

All information contained in this catalog is current at the time of printing. Minuteman International, Inc. reserves the right to make changes at any time without notice.

PowerBoss®, Minuteman International, Inc., Copyright 2021, Printed in USA

TECHNICAL SPECIFICATIONS

Model: B175R Cylindrical Rider Scrubber

Model No.: SM3346CSB, SM3346CSBQP

Dimensions

		Standard drive			X-AC drive
Name	Unit	TB 900	TB 1080	WB 850	TB 900
Length of machine with squeegee without/with pre-sweep unit	mm	1890/2670	1890/2670	1890	1890/2670
Width of machine without/with squeegee	mm	940/1130	1120/1290	940/1130	940/1130
Height of machine without/with overhead guard	mm	1450/2080			

Working width

Brush unit	mm	900	1080	850	900
Squeegee	mm	1100	1260	1100	1100

Weights

Weight (empty, without batteries)	kg	450	455	440	480
Total weight (ready for use)	kg	1010	1015	1100	1040
Permissible total weight	kg	1310			

Driving performance

Driving speed transportation (forwards/reverse)	km/h	8/4			
Climbing capacity when cleaning	%	6 (2 min)			15 (up to 5 min/ 4 km/h)
Climbing capacity during transport journey (ready for operation)	%	10 (1 min)			18 (3 min/ 4 km/h)
Ramp angle/Slope angle	%	16			
Turning circle (with squeegee)	mm	2960	2970	2960	2960

Wheels

		Standard drive			X-AC drive
Name	Unit	TB 900	TB 1080	WB 850	TB 900
Wheel diameter	mm	305			
Specific wheel contact pressure front/rear	N/mm ²	0.66/0.65			

Tank contents

Solution tank	Litre	175
Waste water tank	Litre	175

Brush head

Brush speed	rpm	210	210	850	210
Min./Max. brush pressure	kg	35/70	38/70	29/38	35/70

Vacuum system

Air quantity 1/2 suction turbine	m ³ /h	100/200	200	100/200	100/200
Vacuum (maximum)	mbar	approx. 50			

Electrical system

Nominal voltage	V	36			
Nominal output (max.) (P1)	W	7470			
Power consumption drive motor (P1) S2-120 min	W	2335			3365
Power consumption of vacuum motor (P1) 1/2 suction turbine	W	641/1282	1282	641/1282	641/1282
Power consumption of brush motor (P1) with/without side brush	W	2x936	2x936	2x918 + 2x115	2x936
Power consumption water pump (P1)	W	approx. 67			
Type of protection		IPX 3			
Protection class		III			

On-board charger

		Standard drive			X-AC drive
Name	Unit	TB 900	TB 1080	WB 850	TB 900
Rated input/output voltage	V	230/36			
Nominal output	W	1600			
Type of protection		IPX 3/P20			
Protection class		I			

Pre-sweep suction unit

Name	Unit	
Machine length	mm	800
Height of machine	mm	660
Machine width (above swivel bracket)	mm	1220
Working width	mm	1300
Cylindrical brush width	mm	670
Cylindrical brush, minimum diameter	mm	200
Cylindrical brush speed	rpm	500
Sweeping level width	mm	45±10
Side brush diameter	mm	400
Side brush speed	rpm	92
Theoretical sweeping capacity	m ² /h	10400
Dirt hopper volume (maximum load 20 kg)	Litres	16
Filter area	m ²	1.4
Filter use category ZH 1/487	KAT	U
Drive motor (P1)	W	756
Nominal voltage	V	36
Permissible total weight	kg	115

Noise emission value

		B175 R WZB		B175 R TB	
		Standard operation	Silent operation	Standard operation	Silent operation
The sound power level (L_{wAd}) measured under the customary conditions of use according to DIN EN 60335-2-72 is:	dB (A)	85	80	85	80
The sound pressure level (L_{pA}) (at the ear of the driver) measured under the customary conditions of use according to DIN EN 60335-2-72 is:	dB (A)	68	64	68	64
Measuring uncertainty (K_{pA})	dB (A)	1.4	1.5	1.6	1.3

Vibration

Under the customary conditions of use, the weighted effective value of the acceleration to which the upper limbs (hand-arm) are subjected to according to DIN EN ISO 5349 is:	m/s ²	≤ 2.5
Under the customary conditions of use, the weighted effective value of the acceleration to which the body (feet or seat surface) is subjected to DIN EN ISO 2631-1 is:	m/s ²	≤ 0,5

Scrub Master Battery and Charger Chart

SCRUB MASTER BATTERY AND CHARGER CHART

MODEL	DESCRIPTION	BATTERY	QTY	CHARGER	QTY
SM3546DQP	SCRUB MASTER 46 BASE, 35" DISC	956724	6	957750-1	1
SM4246DQP	SCRUB MASTER 46 BASE, 42" DISC	956724	6	957750-1	1
SM3346CQP	SCRUB MASTER 46 BASE, 33" CYL	956724	6	957750-1	1
SM3346CSBQP	SCRUB MASTER 46 BASE, 33" CYL W/SB	956724	6	957750-1	1
SM3032DQP	SCRUB MASTER 32 BASE, 30" DISC	956724	4	957756	1
SM3532DQP	SCRUB MASTER 32 BASE, 35" DISC	956724	4	957756	1
SM2832CQP	SCRUB MASTER 32 BASE, 28" CYLINDRICAL	956724	4	957756	1
SM3332CQP	SCRUB MASTER 32 BASE, 33" CYLINDRICAL	956724	4	957756	1
SM3546DQPG	SCRUB MASTER 46 BASE, 35" DISC, AGM	956745	6	957750-2	1
SM4246DQPG	SCRUB MASTER 46 BASE, 42" DISC, AGM	956745	6	957750-2	1
SM3346CQPG	SCRUB MASTER 46 BASE, 33" CYL, AGM	956745	6	957750-2	1
SM3346CSBQPG	SCRUB MASTER 46 BASE, 33" CYL W/SB, AGM	956745	6	957750-2	1
SM3032DQPG	SCRUB MASTER 32 BASE, 30" DISC, AGM	956745	4	957756-1	1
SM3532DQPG	SCRUB MASTER 32 BASE, 35" DISC, AGM	956745	4	957756-1	1
SM2832CQPG	SCRUB MASTER 32 BASE, 28" CYL, AGM	956745	4	957756-1	1
SM3332CQPG	SCRUB MASTER 32 BASE, 33" CYL, AGM	956745	4	957756-1	1

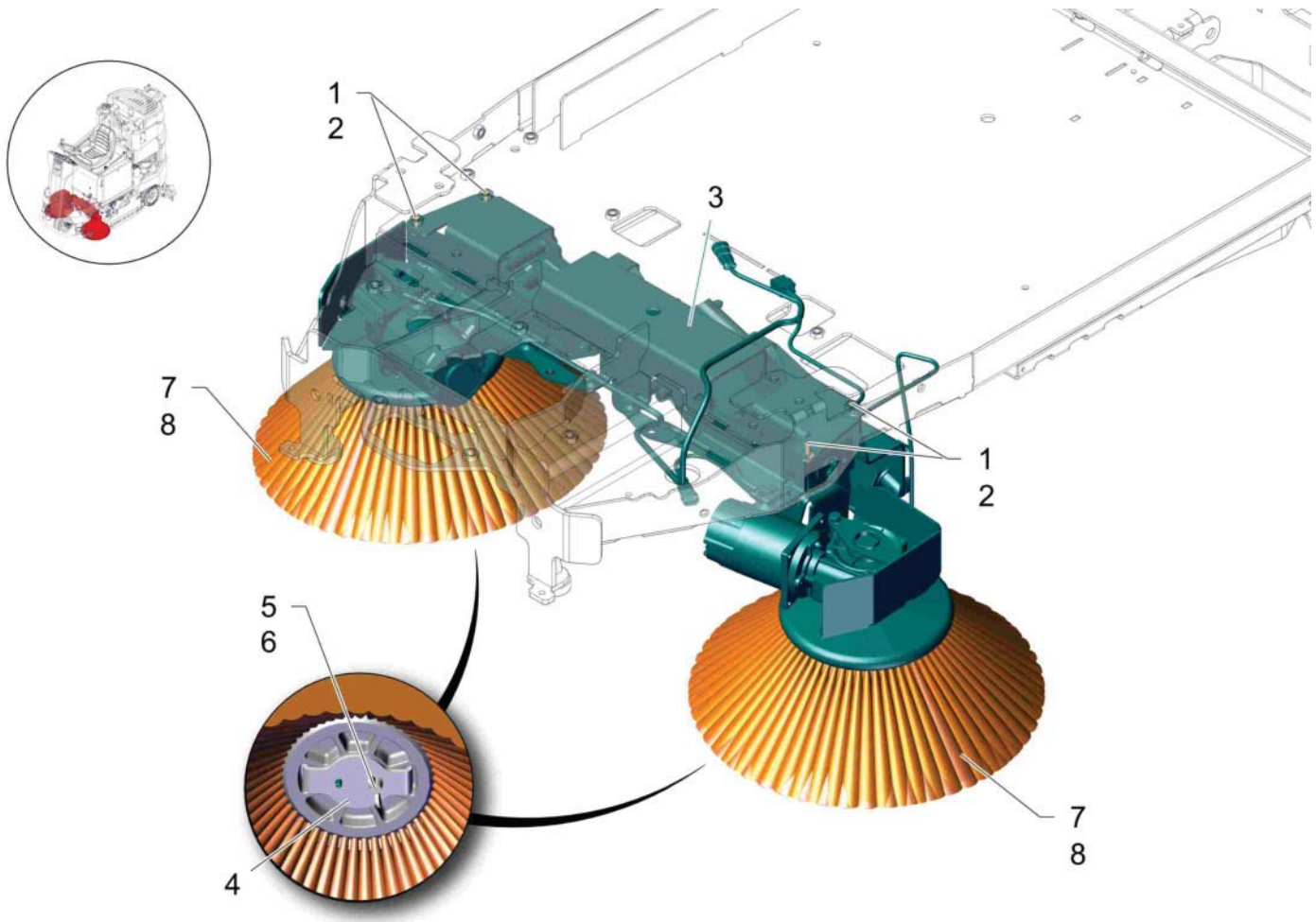
TABLE OF CONTENTS

PREFACE	2
TECHNICAL SPECIFICATIONS	4
SCRUB MASTER BATTERY AND CHARGER CHART	8
PARTS BREAKDOWN	12
SIDE BROOM EQUIPMENT (97139174)	12
SIDE BROOM EQUIPMENT (97138309)	14
BOTTOM VIEW OF UNIT (97138309-A)	16
CONTR4OL CONSOLE (97141402_27)	18
DRIVE SENSOR (01378020)	20
STEERING SYSTEM (97135206)	22
CONTROL PANEL (97140412)	23
SEAT GROUP - SEAT VARIANTS (97145437)	24
SEAT PLATE (97141394)	26
OPERATION AREA - COVERING FOR ELECTRIC EQUIPMENT (97141386)	28
CHASSIS (97140578_30)	30
CHASSIS (97141253)	32
FRONT BUMPER SIDE BROOM (97141212)	34
REAR AXLE, NOT DRIVEN (97141246)	35
WITHOUT OPTION ONBOARD SOLUTION DOSAGE BUT WITH SPRAYING TOOLS (97140115-3)	36
PRELIMINARY PARTS FOR SPRAYING TOOLS ON WATER PLATE (97145486)	38
TANK CONNECTION WATER SYSTEM (97138200)	39
PRELIMINARY PARTS FOR SPRAYING TOOLS (97142061)	40
ELECTRIC EQUIPMENT (97141840_38)	41
BASE ELECTRIC PLATE (97141907)	42
ELECTRIC PLATE WITHOUT ONBOARD CHARGER (97159404)	44
ELECTRIC PLATE WITHOUT 4-WHEEL DRIVE (97141873)	45
ELECTRIC PLATE WITH OPTION SIDE BROOM SYSTEM (97141857)	46
TANK GROUP WITHOUT TANKS (97162747)	48
FOUL WATER TANK RED (97162721-97162739_PB_1)	50
COVER (97138275-B_27)	52
CLAMPING PIECE (97146237)	53
SOLUTION HOSE (01372360)	54
RECOVERY HOSE (01372410)	55
HEIGHT ADJUSTMENT (97149587)	56
COVER'S PUT-UP HINGE (97159743)	57
COVER'S PUT-UP HINGE (97139414)	58
FOUL WATER TANK RED B175 (01377880)	60
FOUL WATER TANK RED ANTIBACTERIAL B175 (01377970)	61
FRESH WATER TANK RED (97162721-97162739_2)	62
FRESH WATER TANK RED (01374890)	64
FRESH WATER TANK RED ANTIBACTERIAL (01374930)	65
FRESH WATER CAP (VARIANT WITHOUT AUTOMATIC FILLING UNIT) (97143937)	66
COVER (VARIANT WITHOUT DRIVER CANOPY) (97140727)	67

SEALING PLUG (VARIANT WITHOUT SECOND SUCTION TURBINE) (97140537)	68
SIDE COVERING L.H. - SEPARATING PANEL (97140560)	69
SEPARATING PLATE (97145783)	70
LIFTING CYLINDRICAL BRUSH HEAD (97144927)	71
LIFTING (97138721)	72
ROPE ASSEMBLY (97140479)	74
PRELIMINARY PARTS FOR SPRAYING TOOLS AT TANK (97150296)	75
ROUGH MUD STRAINER (97143929)	76
CYLINDRICAL BRUSH HEAD 850 (97144182)	77
RETAINER DIRT CONTAINER (97147946)	78
DIRT CONTAINER (01273190)	79
CYLINDRICAL BRUSH HEAD (97141709)	80
CARRIER, CPL. (01072560)	82
SIDE COVER, CPL. (01072550)	83
SIDE WIPER CYLINDRICAL BRUSH HEAD 850 (97144158)	84
SIDE WIPER R.H. AND L.H. (97144695-97144596)	86
SPRAYING NOZZLE (97142384)	88
RETAINER SPRAYING NOZZLE (97147334)	89
LIFTING BRUSH AGGREGATES (97141675)	90
ROCKER (97135271)	92
SQUEEGEE LINKAGE GROUP (97139935)	93
SQUEEGEE LINKAGE GROUP (03021740)	94
LIFTING ELEMENT (97142525)	96
SUCTION UNIT 1100MM, CPL. (01378910)	98

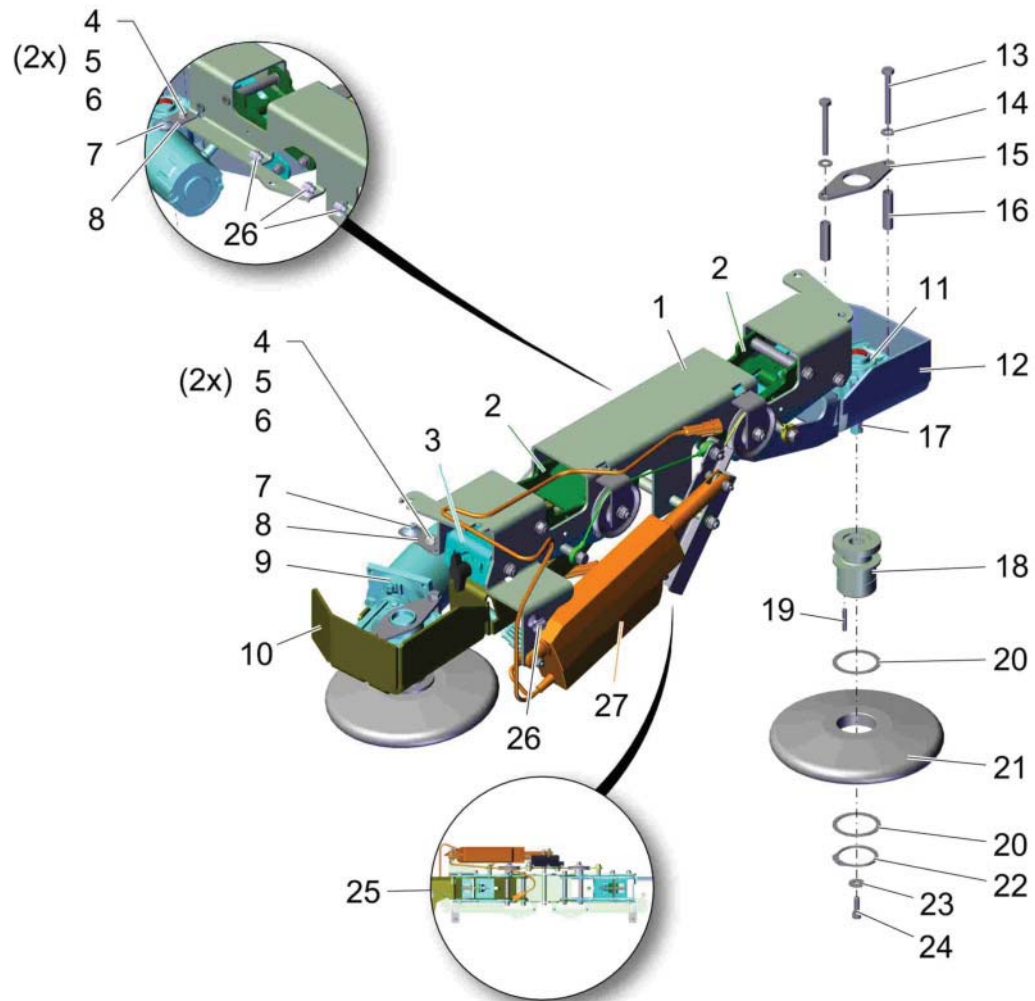
Parts Breakdown

Side broom equipment (97139174)



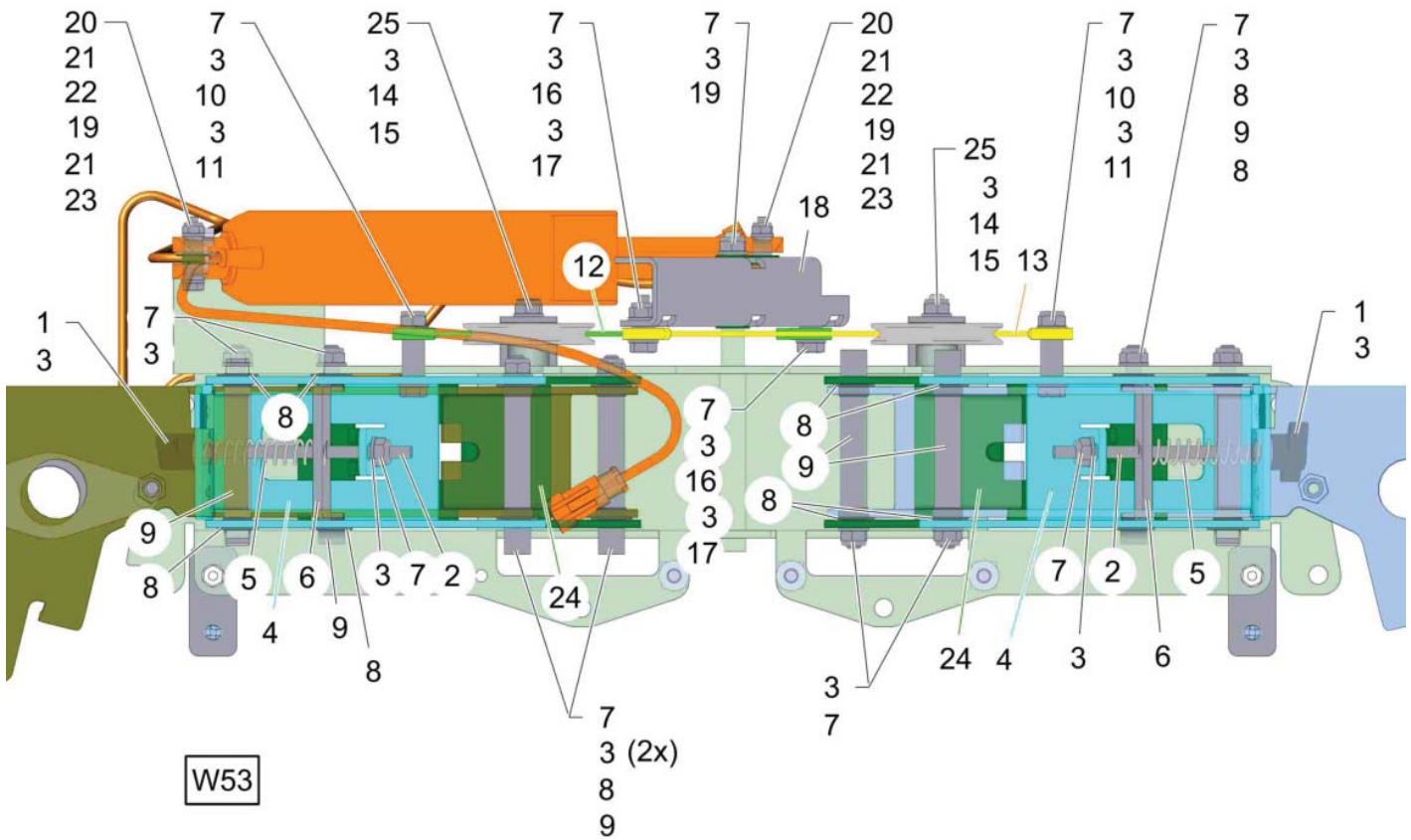
Item	Part number	Description	Qty.	Unit	Remarks
1	00053080	Hexagon screw	4		
2	00740310	Washer	4		
3	97138309	Side broom equipment	1		
4	01373170	drive plate	2		
5	---	Spare part on request	2		11505138 wing screw
6	00730940	Detent edged washer	2		
7	99634800	Spare side broom	2		PP + PPS (standard)
8	99623700	Spare side broom	2		PES; soft

Side broom equipment (97138309)



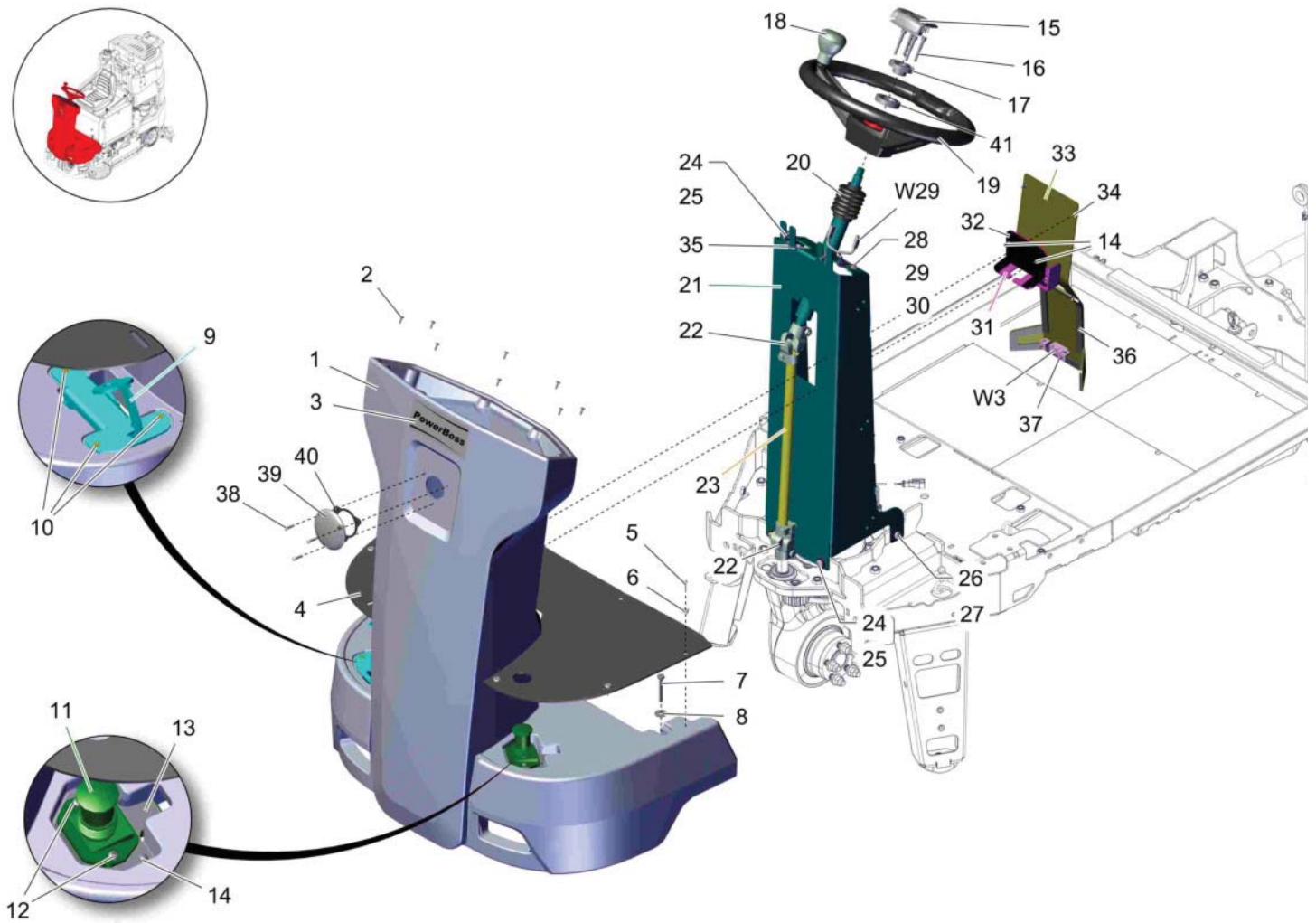
Item	Part number	Description	Qty.	Unit	Remarks
1	01373770	base carrier	1		
2	01373900	control arm top	2		
3	01372980	draft link	2		
4	00154210	Hex.bolt	2		
5	00053730	Washer	8		
6	00051520	Hex. Nut	4		
7	01278080	Mounting clip	2		
8	01373310	cable holder	2		
9	01371210	drive 36V 50W (P3) L.H.	1		
10	01372780	motor bracket L.H.	1		
11	01371180	drive 36V 50W (P3) R.H.	1		
12	01373990	motor bracket R.H.	1		
13	01072300	Hexagon screw	4		
14	00740310	Washer	4		
15	01373000	plate	2		
16	01373300	distance piece	4		
17	00022430	Feather key	2		
18	01373180	hub	2		
19	00051130	Dowel pin	2		
20	00105330	Adjusting washer	4		
21	00563260	Rejecting plate	2		
22	00137910	Retaining ring	2		
23	00856290	Washer	2		
24	00022190	Cylinder head screw	2		
25	97138309-a	Bottom view of unit	1		
26	01493500	Retainer	4		
27	01375050	lifting element	1		

Bottom view of unit (97138309-a)



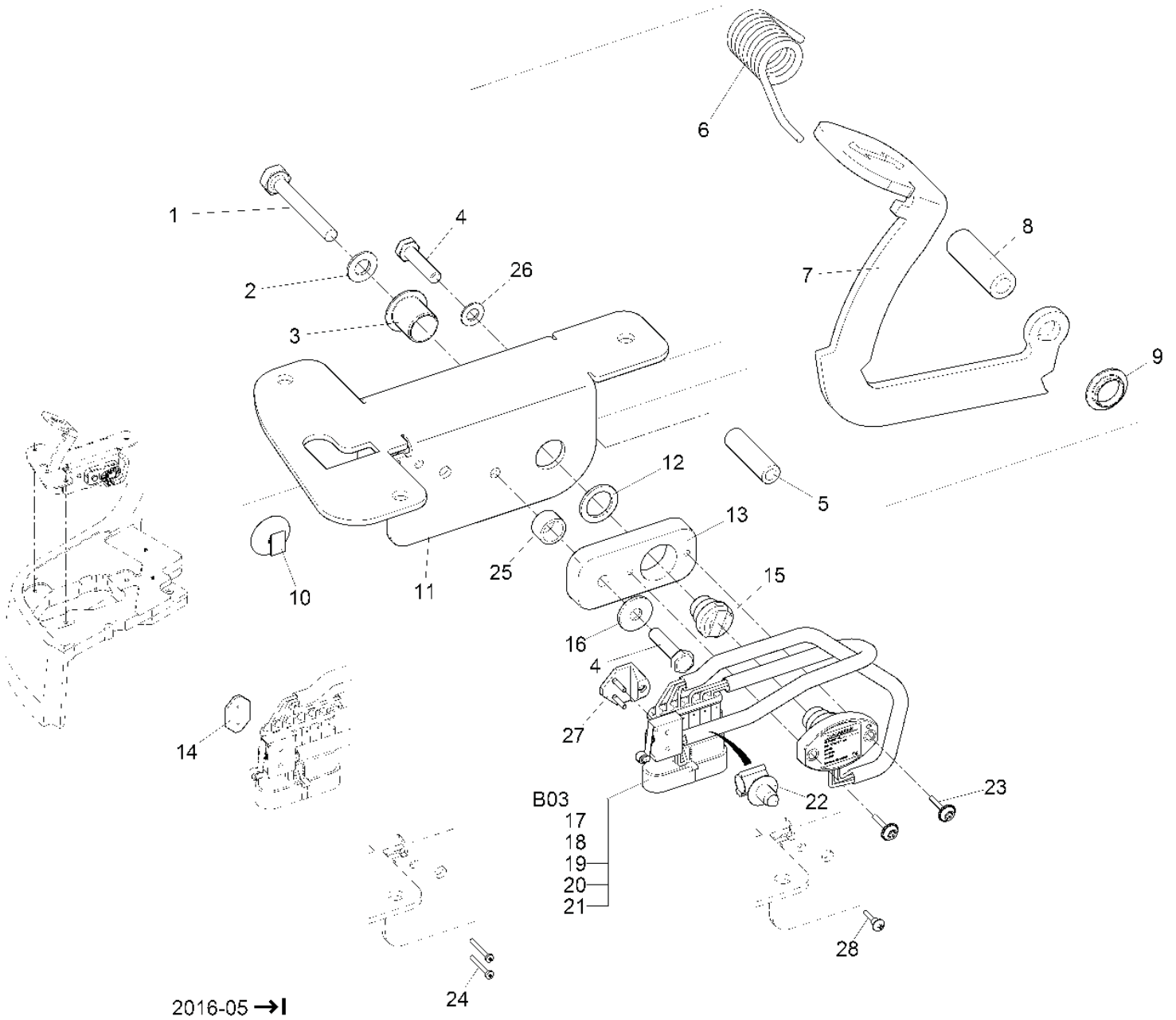
Item	Part number	Description	Qty.	Unit	Remarks
1	01111970	Wing nut	4		
2	00028550	Hex.bolt	4		
3	00053750	Washer	19		
4	01372980	draft link	2		
5	01001180	Pressure spring	2		
6	01372990	thread base plate	2		
7	00051510	Hex. Nut	15		
8	01130080	Slide bearing bush	16		
9	01373110	bolt	8		
10	01370270	spacer sleeve	2		
11	00133700	Hexagon screw	2		
12	01372060	rope short	1		
13	01371970	rope long	1		
14	01373030	rope assurance	2		
15	00521270	Roller	2		
16	00557730	Spreader tube	2		
17	00053090	Hexagon screw	2		
18	01373020	lever	1		
19	01111140	Slide bearing bush	4		
20	00051520	Hex. Nut	4		
21	00053730	Washer	8		
22	01373040	sleeve	2		
23	00053290	Hexagon screw	2		
24	01373900	control arm top	2		
25	00053350	Hex. Nut	2		
W53	03020470	wiring harness W53	1		

CONTR4OL CONSOLE (97141402_27)



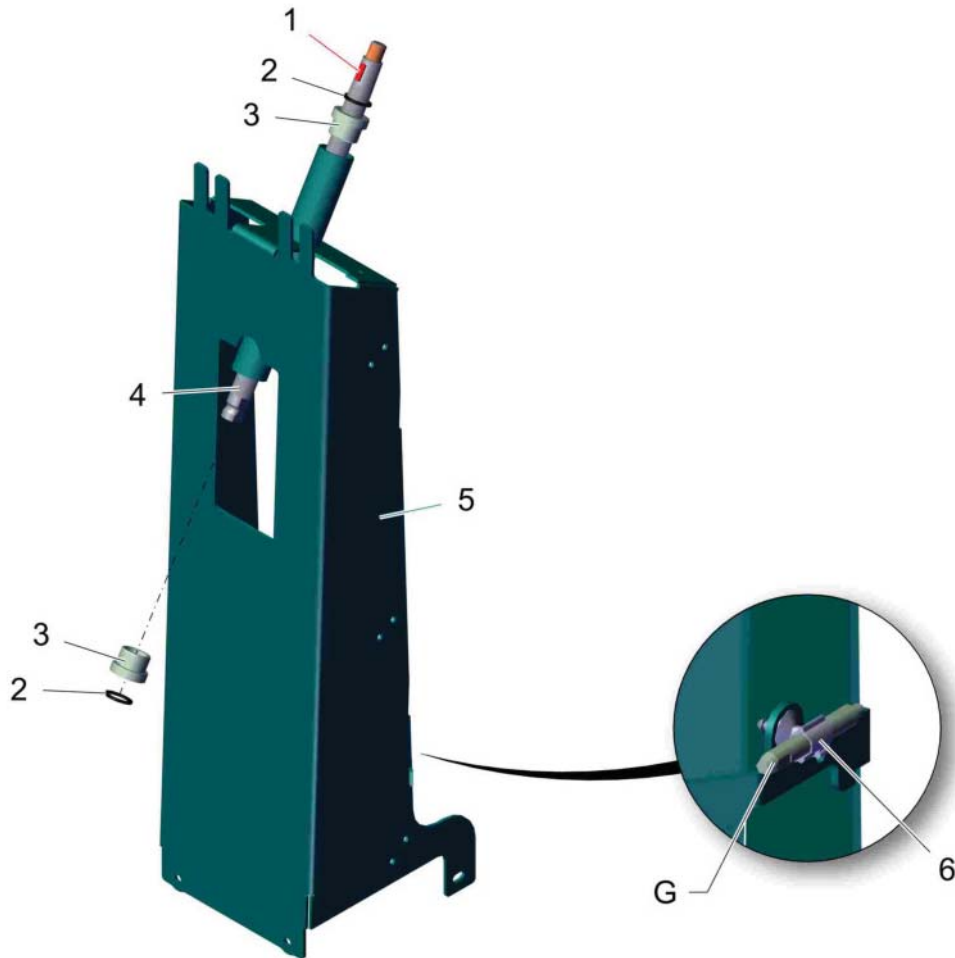
Item	Part number	Description	Qty.	Unit	Remarks
1	03019900	steering colum	1		
2	01136860	Countersunk screw	8		
3	03008970	Decal POWERBOSS	1		
4	01373190	floor mat	1		
5	01073120	Amtec screw	6		
6	01073130	Knob	6		
7	00053130	Hexagon screw	2		
8	00042900	Washer	2		
9	01378020	drive sensor	1		
10	01133380	Countersunk screw	3		
11	01145750	Foot switch	1		
12	00959220	Screw	2		
13	01372900	plate	1		
14	01078160	Screw	4		
15	01375260	steering wheel cab	1		
16	01382410	socket head screw	1		
17	01382520	flange	1		
18	01370020	knob	1		
19	01371160	steering wheel	1		
20	01054880	Bellows	1		
21	97135206	Steering system	1		
22	00746040	Cardan joint	2		
23	01373660	shaft	1		
24	00053080	Hexagon screw	2		
25	00740090	Detent edged washer	2		
26	01272710	Lens head screw	4		
27	00740080	Washer	4		
28	01071890	Hex.bolt	1		
29	01072030	Toothed washer	1		
30	00102140	Hex. Nut	1		
31	01372870	connector fixing	1		
32	01372120	gasket	1		
33	01372830	cover	1		
34	01072520	Lens flange screw	5		
35	00967760	Cable tie	1		
36	01372090	gasket	1		
37	01112160	Screw	2		
38	01078160	Screw	3		
39	01375240	cap	1		
40	01072000	Seal	1		
41	01382630	ring	1		
W3	03020300	wiring harness W3	1		illustrated content: OBDII-socket
W29	03020450	wiring harness W29	1		

Drive sensor (01378020)



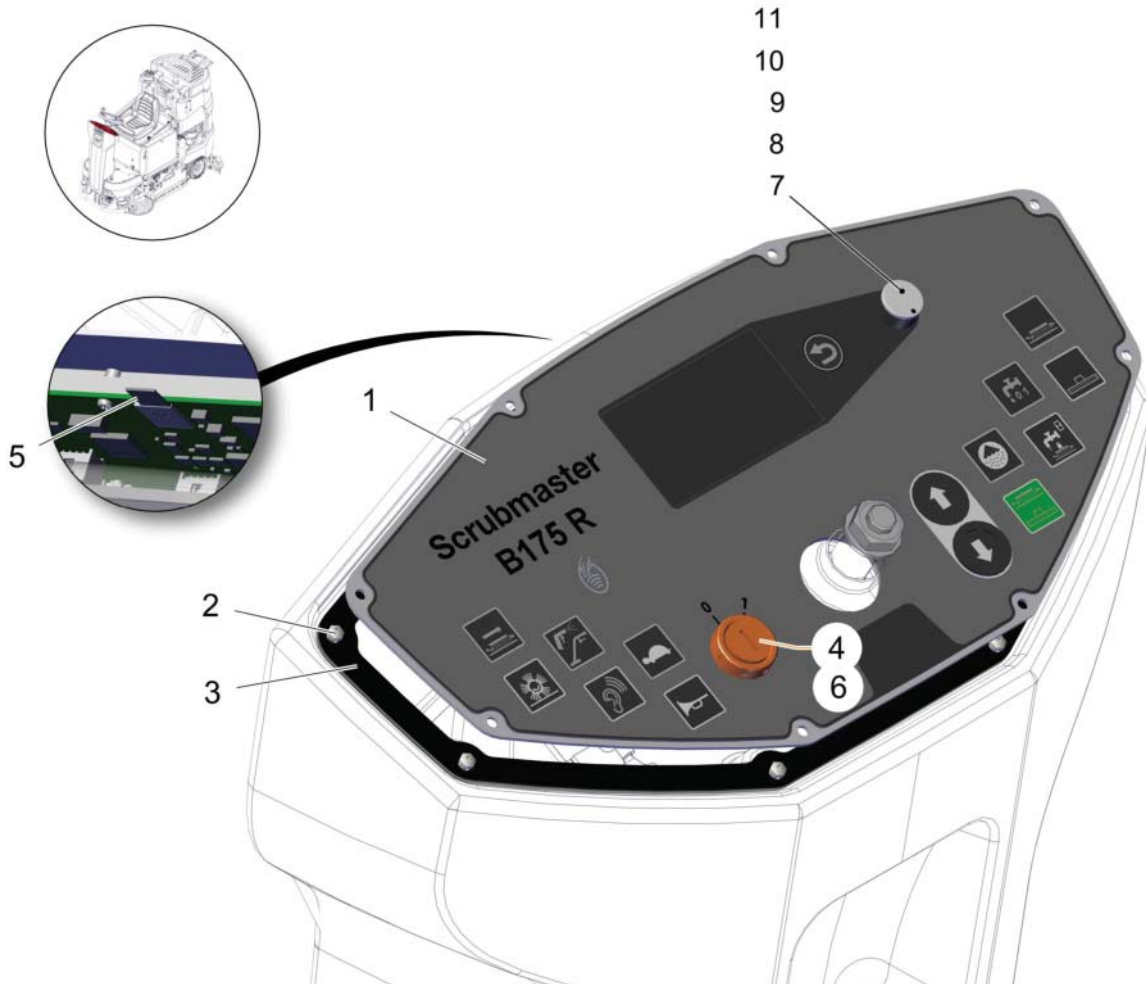
Item	Part number	Description	Qty.	Unit	Remarks
1	00523790	Hex.bolt	1		
2	00101550	Washer	1		
3	00740190	Slide bearing bush	1		
4	00133130	Screw	2		
5	01064890	Hose	0,040		
6	01277850	Leg spring	1		
7	01372710	accelerator pedal	1		
8	01372690	clamping bush	1		
9	01055150	Slide bearing bush	1		
10	01278080	Mounting clip	1		
11	01372700	pedal retainer	1		
12	01372160	starting disk	1		
13	01372170	retainer	1		
14	01473610	Threaded plate	1		til appr. 2016-05
15	---	Spare part on request	1		96145941 Solenoid retainer
16	00854210	Washer	1		
17	01006190	Seal	6		
18	01141370	Hose	0,420		
19	00696680	Micro switch	1		
20	03003250	Pin housing	1		
21	01006210	Pin contact	6		
22	01493500	Retainer	1		
23	01078860	Screw	2		
24	01141220	Lens head screw	2		til appr. 2016-05
25	00901550	Bushing	1		
26	00053730	Washer	1		
27	01372180	retainer	1		from appr. 2016-06
28	00902430	Screw	1		from appr. 2016-06
B03	01277740	Angle sensor	1		incl. pos. 17-21!

Steering System (97135206)



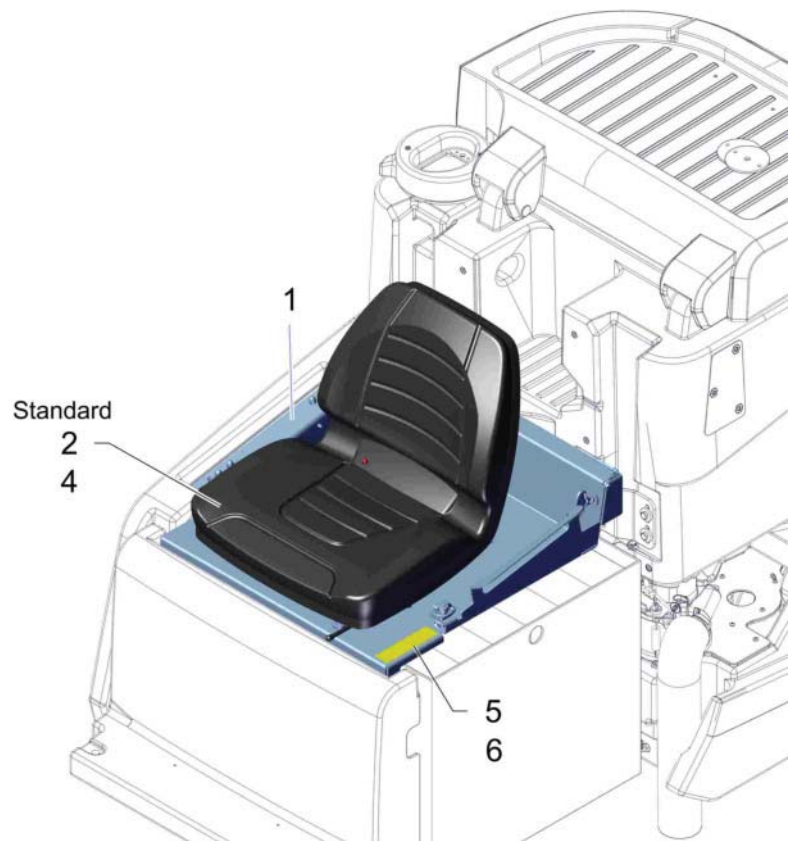
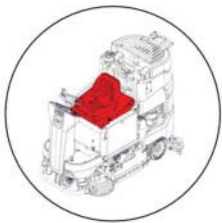
Item	Part number	Description	Qty.	Unit	Remarks
1	00701170	Woodruff key	1		
2	00554400	O-ring oil resistant	2		
3	00523630	Bushing	2		
4	01373910	shaft	1		
5	03020220	steering holder	1		
6	01493500	Retainer	1		
G	-	Not supplied alone!			handle to solve brake of drive unit

Control panel (97140412)



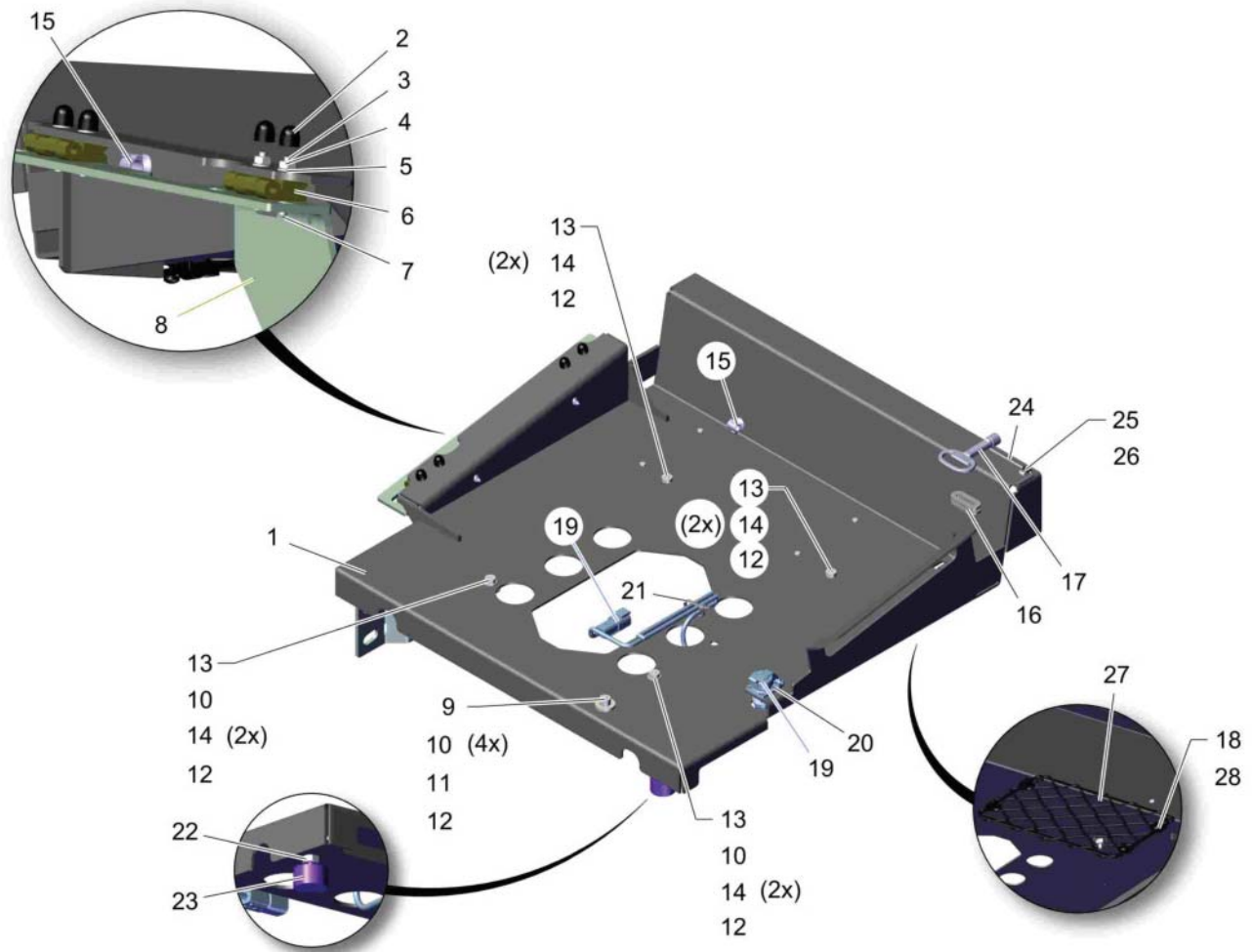
Item	Part number	Description	Qty.	Unit	Remarks
1	01372030	control panel	1		
2	01136860	Countersunk screw	8		
3	01372000	gasket	1		
4	00021710	Key switch	1		
5	01374870	smart card	1		
6	00745890	Set (2pc.) key	1		
7	01379950	gasket	1		
8	01379960	bushing	1		
9	01379970	connection cable DDS	1		
10	01379980	control panel	1		
11	01379990	turning knob	1		

Seat group - seat variants (97145437)



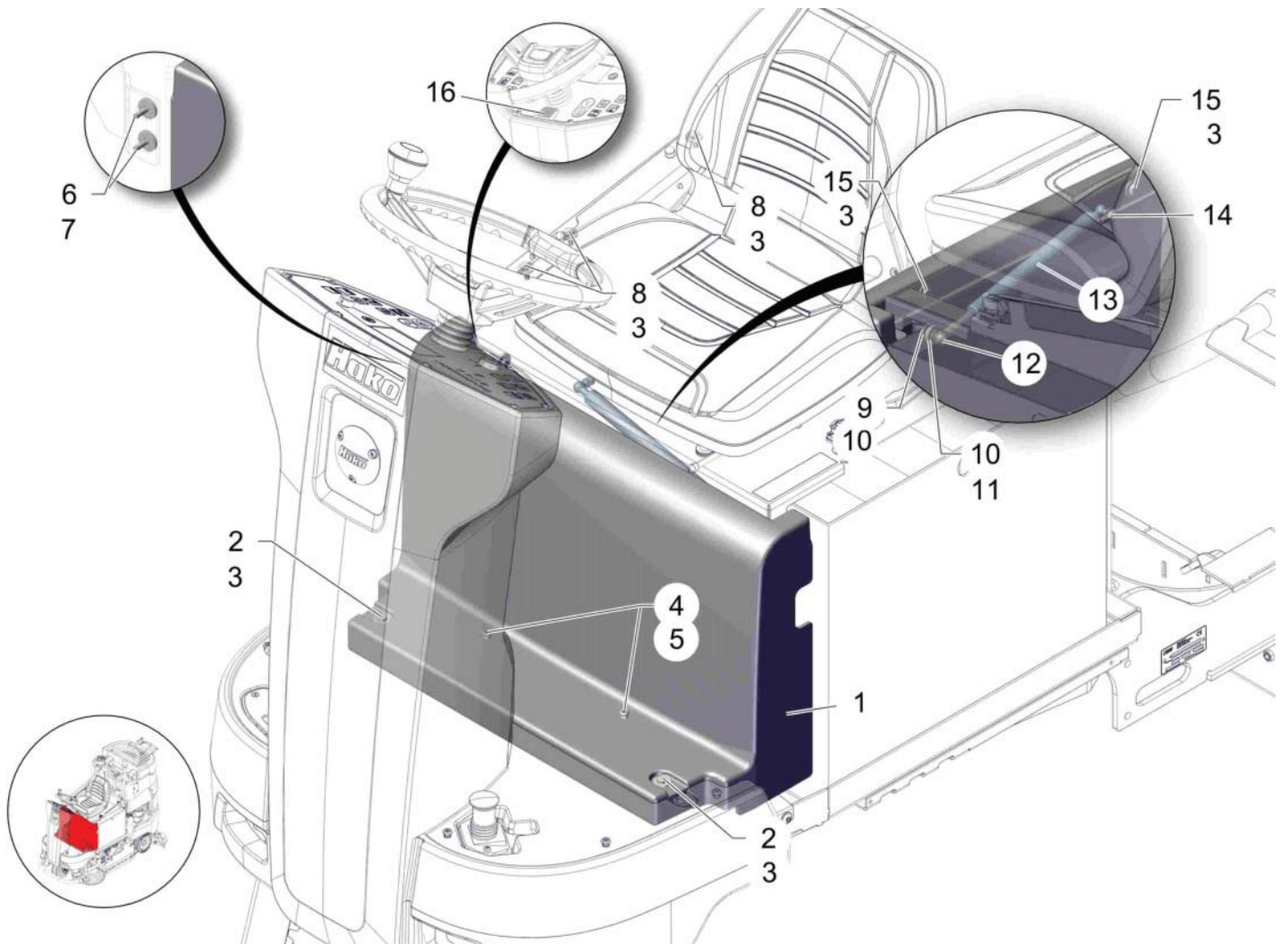
Item	Part number	Description	Qty.	Unit	Remarks
1	97141394	Seat plate	Page	16	
2	01277650	seat	1		
3	01370010	driver seat	1		
4	01277700	Seat contact switch	1		
5	01371840	decals SIGN_GRADE 6	1		6%
5	---	Spare part on request	1		92022599 belt buckle
6	---	Spare part on request	1		92022581 belt retractor
6	01376870	decals GRADE 15	1		15%

Seat plate (97141394)



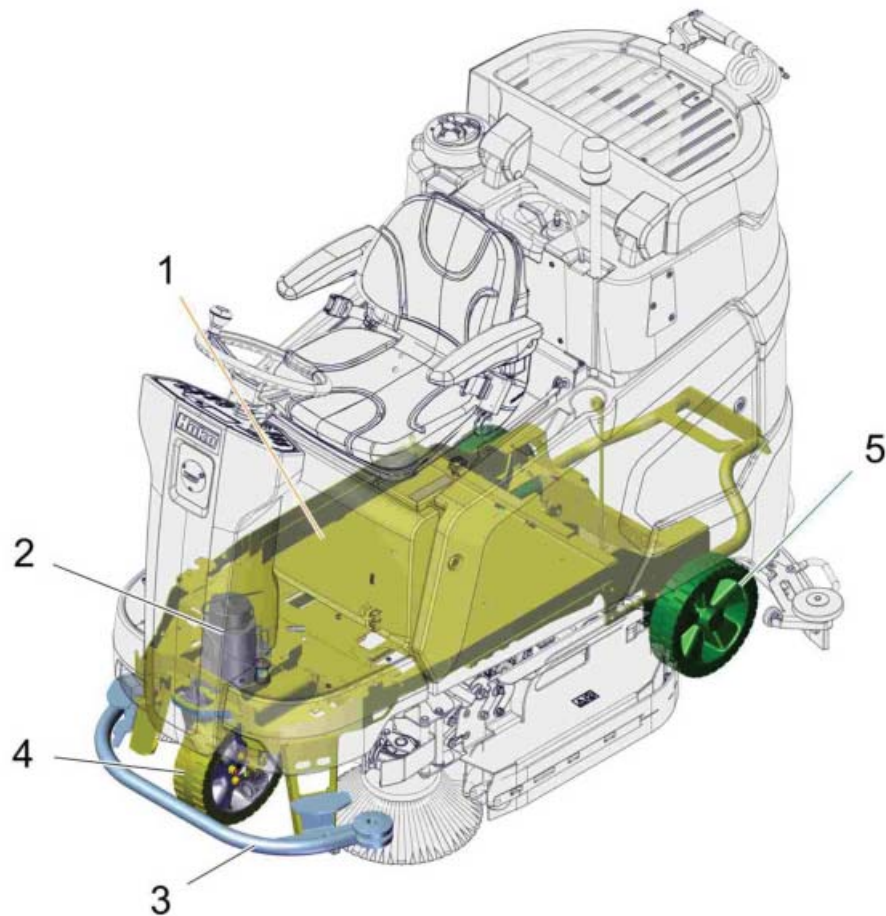
Item	Part number	Description	Qty.	Unit	Remarks
1	03020250	seat sheet metal	1		
2	00525910	Lens cap	4		
3	01271620	Countersunk screw	4		
4	00053330	Hex. Nut	4		
5	00740280	Washer	4		
6	00740450	Hinge	2		
7	00872460	Countersunk screw	4		
8	01373720	bearing sheet metal	1		
9	00045540	Cylinder head screw	1		
10	00053750	Washer	6		
11	00740310	Washer	1		
12	00051510	Hex. Nut	5		
13	00102790	Cylinder head screw	4		
14	00042900	Washer	8		
15	01493500	Retainer	3		
16	00028800	Socket	1		
17	00071900	Key	1		
18	00051890	Countersunk screw	4		
19	01371470	USB charging connection	1		
20	01110570	Screw	4		
21	00967760	Cable tie	2		
22	00053350	Hex. Nut	1		
23	00538440	Buffer	1		
24	---	Spare part on request	1		92017755 socket head wrench
25	00903290	Tube clamp	1		
26	00501420	Screw	1		
27	01172540	Luggage rack	1		
28	00133830	Hex. Nut	4		

Operation area - covering for electric equipment (97141386)



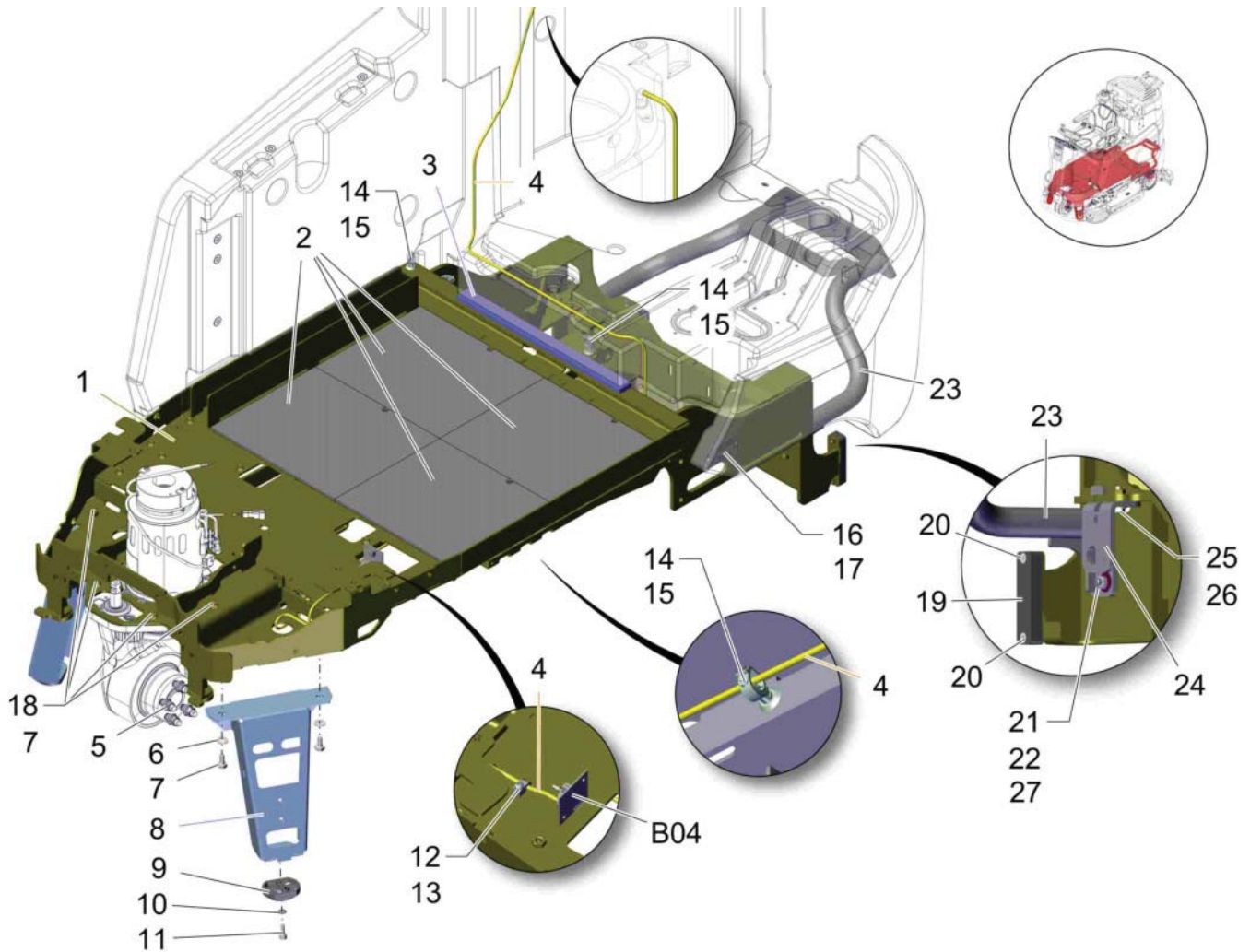
Item	Part number	Description	Qty.	Unit	Remarks
1	01372210	covering	1		
2	00053130	Hexagon screw	2		
3	00042900	Washer	7		
4	01073130	Knob	2		
5	01073120	Amtec screw	2		
6	00053100	Hexagon screw	2		
7	00047990	Disk wheel	2		
8	00553690	Hex.bolt	3		
9	01373600	bushing	1		
10	01102770	Approach disk	2		
11	00902280	Washer	1		
12	00527690	Angle joint	1		
13	01111640	Gas-pressurized spring	1		
14	00051510	Hex. Nut	1		
15	00704610	Hex.bolt	2		
16	03019480	adhesive label	1		

Chassis (97140578_30)



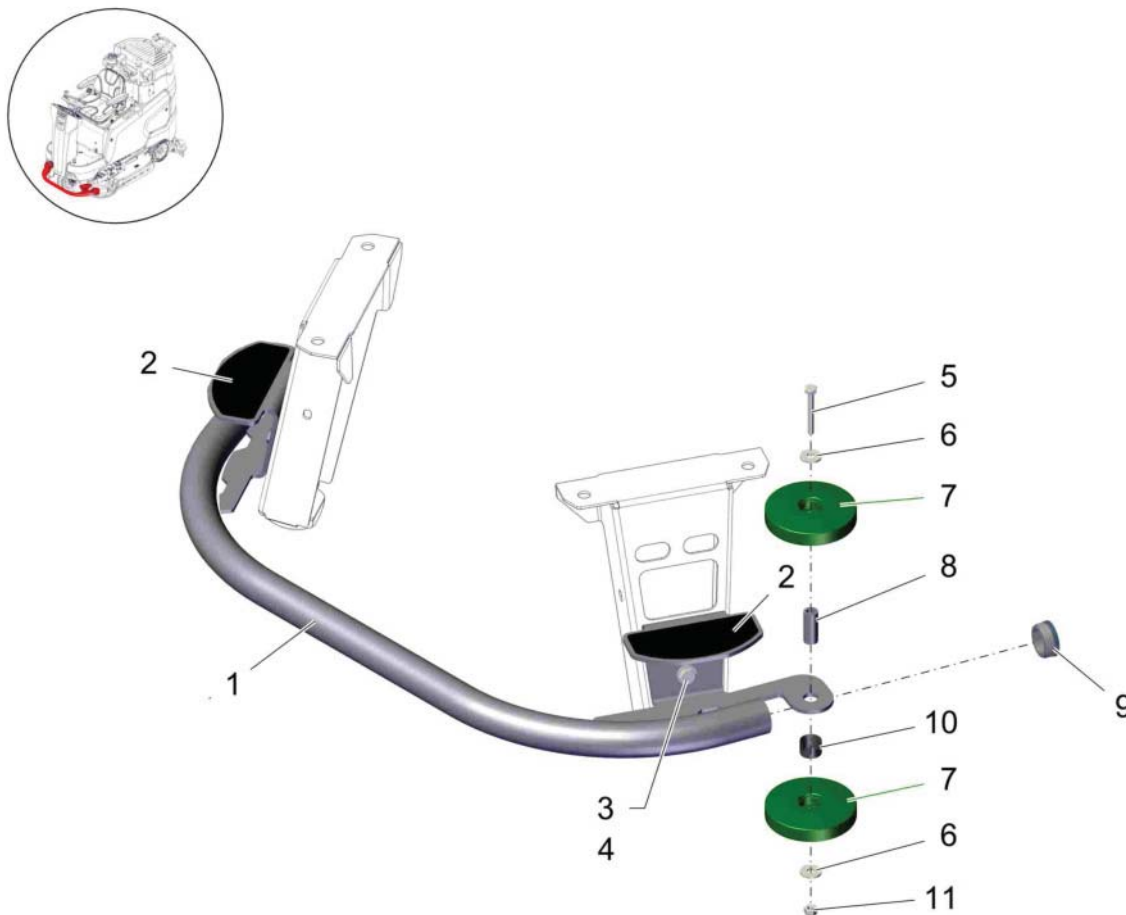
Item	Part number	Description	Qty.	Unit	Remarks
1	97141253	Chassis	1		
2	01371270	traction drive AC 36V 1,9kW	1		
3	97141212	Front bumper side broom	1		
4	01371440	wheel	1		
5	97141246	Rear axle, not driven	1		

Chassis (97141253)



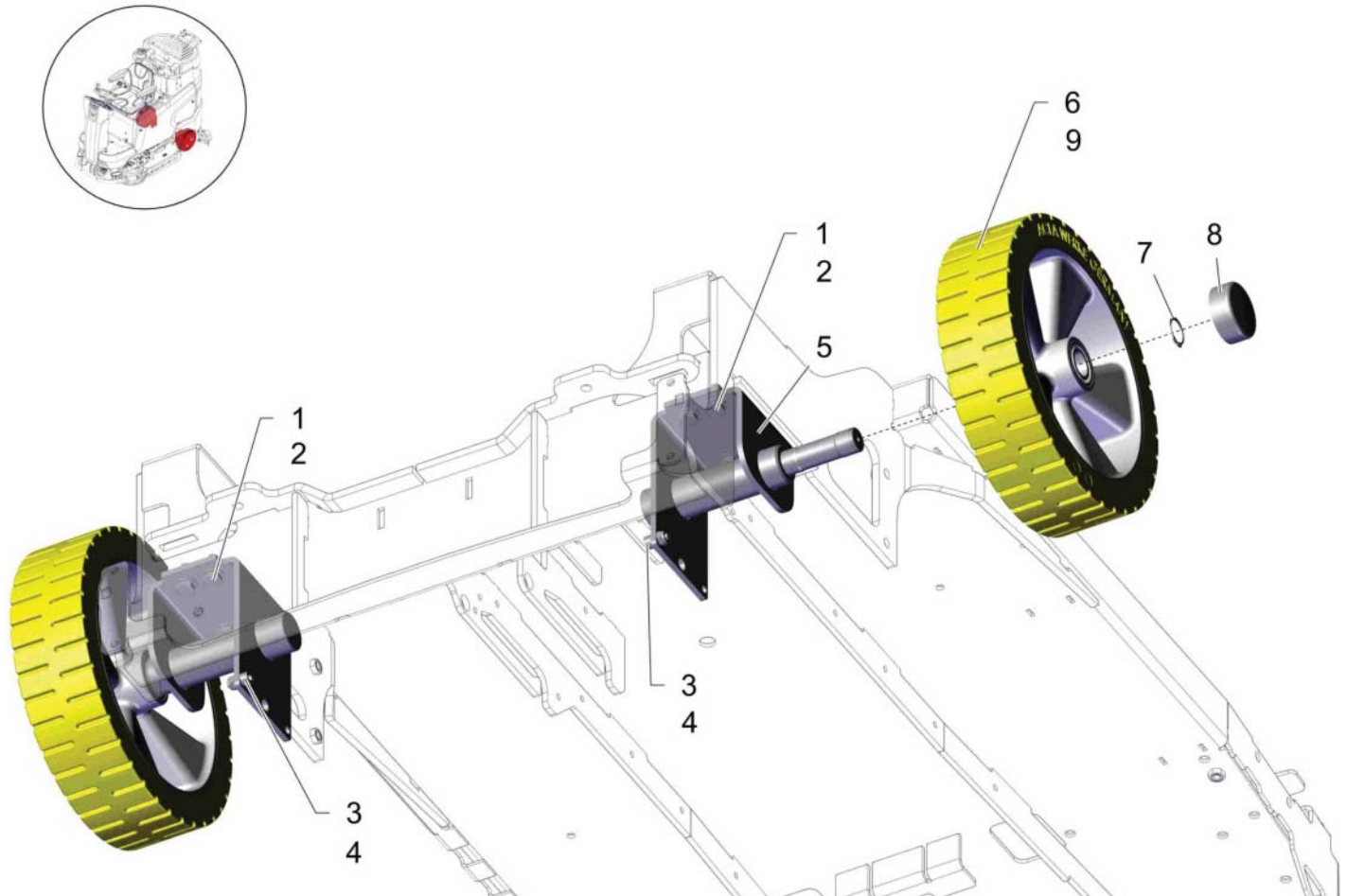
Item	Part number	Description	Qty.	Unit	Remarks
1	03020230	chassis	1		
2	01371760	mat	4		
3	01371730	support	1		
4	01372290	hose	2,570		
5	00156320	Spherical collar nut	5		With every exchange of wheel exchange the nuts, too, please!
6	00021130	Hex.bolt	4		
7	00740290	Detent edged washer	10		
8	01373890	support	2		
9	01371320	stay	2		
10	00740310	Washer	2		
11	00045540	Cylinder head screw	2		
12	00100550	Clamp	1		
13	00959220	Screw	1		
14	01370250	retainer	9		
15	01370240	mounting feet	9		
16	01073780	Nameplate	1		
17	00131600	Rivet	2		
18	00053160	Hexagon screw	6		
19	01372250	buffer	2		
20	00508990	Countersunk screw	4		
21	00053350	Hex. Nut	2		
22	00740080	Washer	2		
23	01373940	bumper	1		
24	01373760	angle	2		
25	00053100	Hexagon screw	2		
26	00740090	Detent edged washer	2		
27	01112000	Threaded pin	2		
B04	01371480	pressure sensor	1		

Front bumper side broom (97141212)



Item	Part number	Description	Qty.	Unit	Remarks
1	01372320	bumper	1		
2	01372260	decal	2		
3	00021130	Hex.bolt	4		
4	00740290	Detent edged washer	4		
5	00053130	Hexagon screw	2		
6	00042900	Washer	4		
7	01171790	Deflector roller	4		
8	00975110	Bushing	2		
9	01135410	sealing plug	2		
10	01228800	Hose	0,040		
11	00051510	Hex. Nut	2		

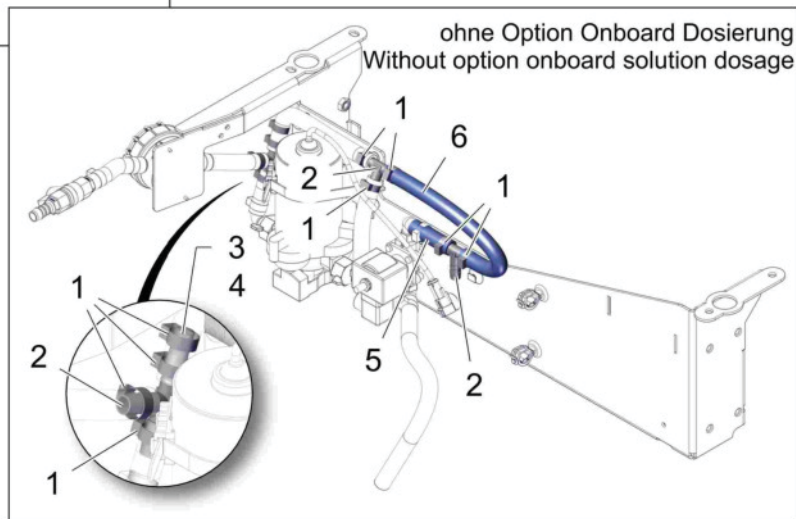
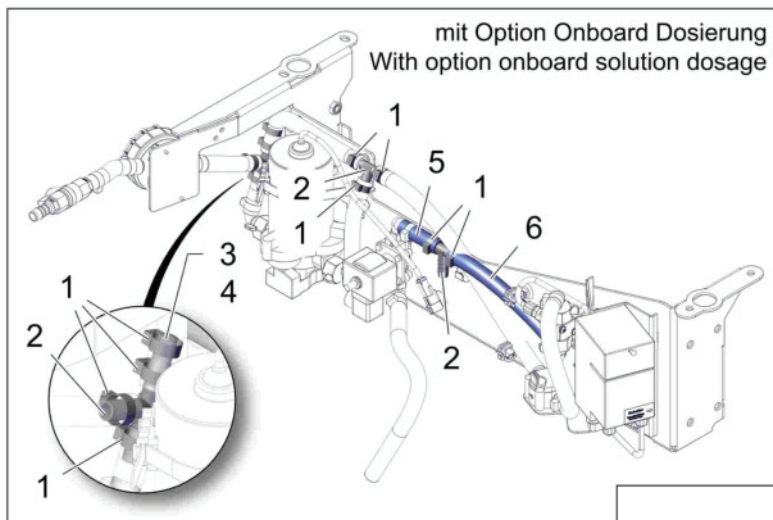
rear axle, not driven (97141246)



Item	Part number	Description	Qty.	Unit	Remarks
1	00053310	Hexagon screw	8		
2	00740290	Detent edged washer	8		
3	00154410	Cylinder head screw	2		
4	00051510	Hex. Nut	2		
5	01373880	spindle support	2		
6	01371550	wheel	2		
7	00022460	Retaining ring	2		
8	01171530	Cap	2		
9	00281050	Deep groove ball bearing	2		

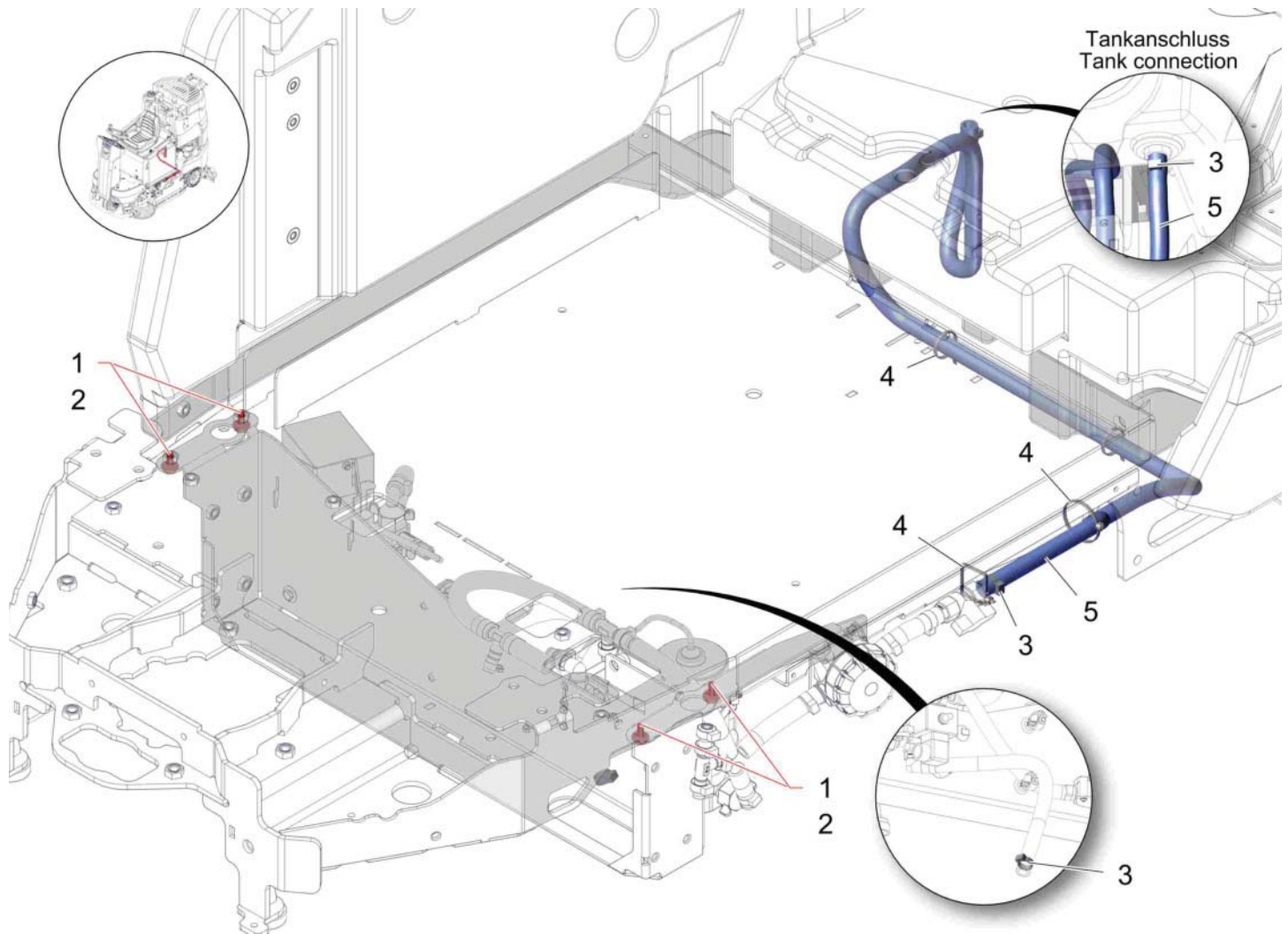
Item	Part number	Description	Qty.	Unit	Remarks
1	01373870	sheet metal	1		
2	00154140	Screwed angle fitting	2		
3	01376430	hose clamp	7		
4	00112010	Hose	0,050		
5	00112010	Hose	0,200		
6	01073340	Cable tie	1		
7	00543750	Pump	1		
8	01135470	pin housing	1		
9	01063790	Pin contact	2		
10	00903580	Gasket	2		
11	00903190	Flat connector	1		
12	01052080	Valve plate	1		
13	00112010	Hose	0,120		
14	01071000	Electrovalve	1		
15	01278080	Mounting clip	2		
16	00020020	Angle socket	2		
17	00112010	Hose	0,320		
18	00058580	Hex.bolt	2		
19	00053710	Washer	4		
20	97145486	Preliminary parts for spraying tools on water plate	1		
21	01370250	retainer	2		
22	01370240	mounting feet	2		
23	01179160	Decal yellow point	1		
24	00112010	Hose	0,100		
25	01077170	Water filter	1		
26	01177090	Filter cover	1		
27	01178210	Strainer	1		
28	01178130	O-ring	1		
29	01112160	Screw	2		
30	00112010	Hose	0,080		
31	00976140	Screwed plug	2		
32	00952760	Ball tap	1		
33	01371990	valve connector	1		

Preliminary parts for spraying tools on water plate (97145486)



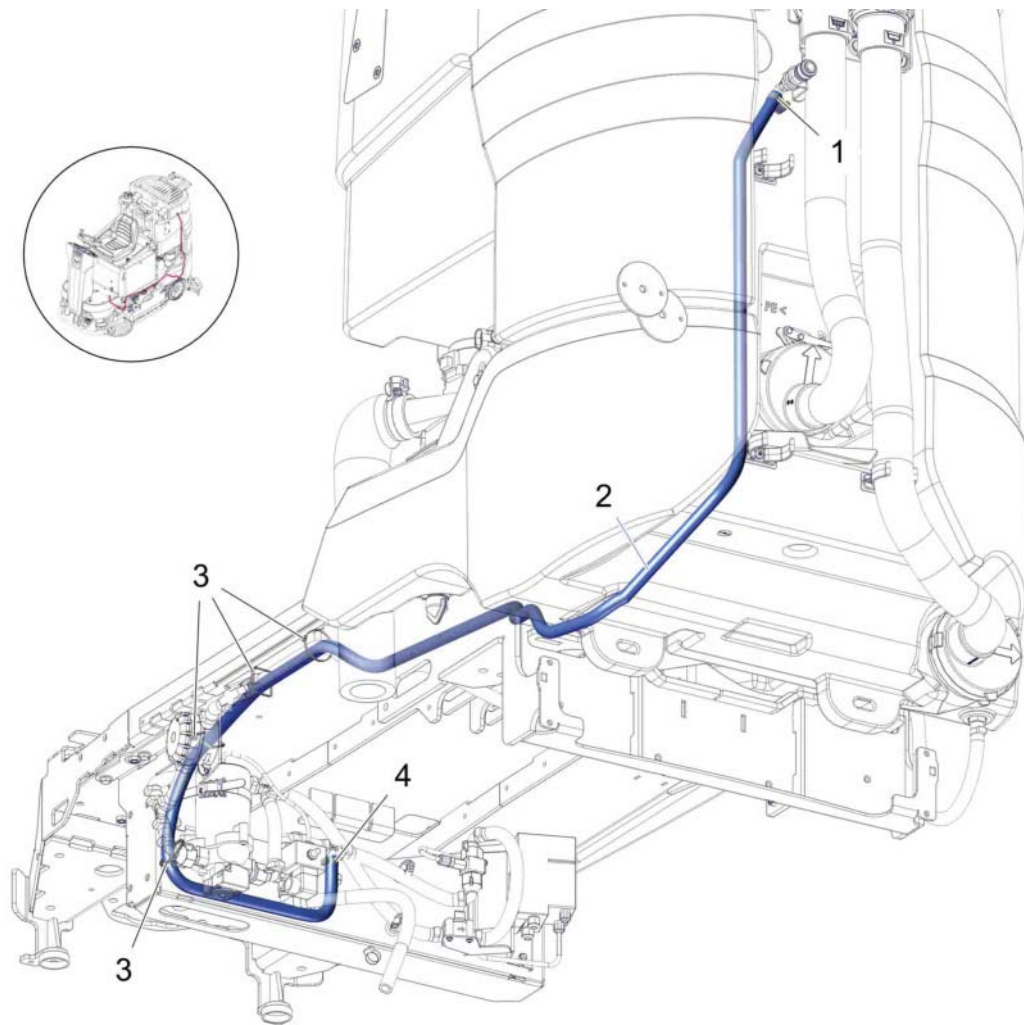
Item	Part number	Description	Qty.	Unit	Remarks
1	01376430	hose clamp	9		
2	00976160	T-piece	3		
3	01371810	recycling stop	1		
4	01372620	plain bearing bush	1		
5	00112010	Hose	0,060		
6	00112010	Hose	0,220		

Tank connection water system (97138200)



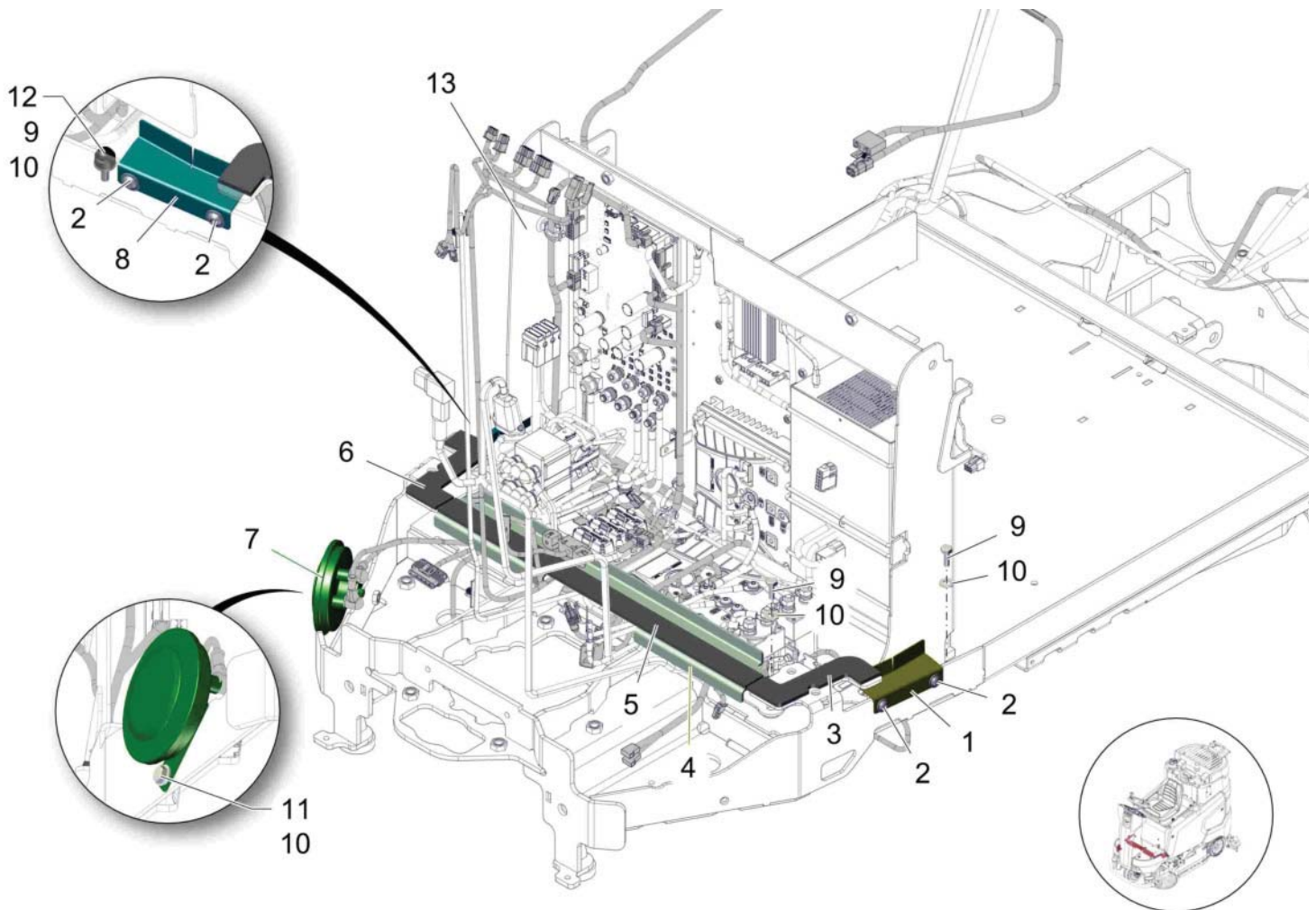
Item	Part number	Description	Qty.	Unit	Remarks
1	00053080	Hexagon screw	4		
2	00740090	Detent edged washer	4		
3	01376430	hose clamp	3		
4	00967760	Cable tie	4		
5	00112010	Hose	1,610		

Preliminary parts for spraying tools (97142061)



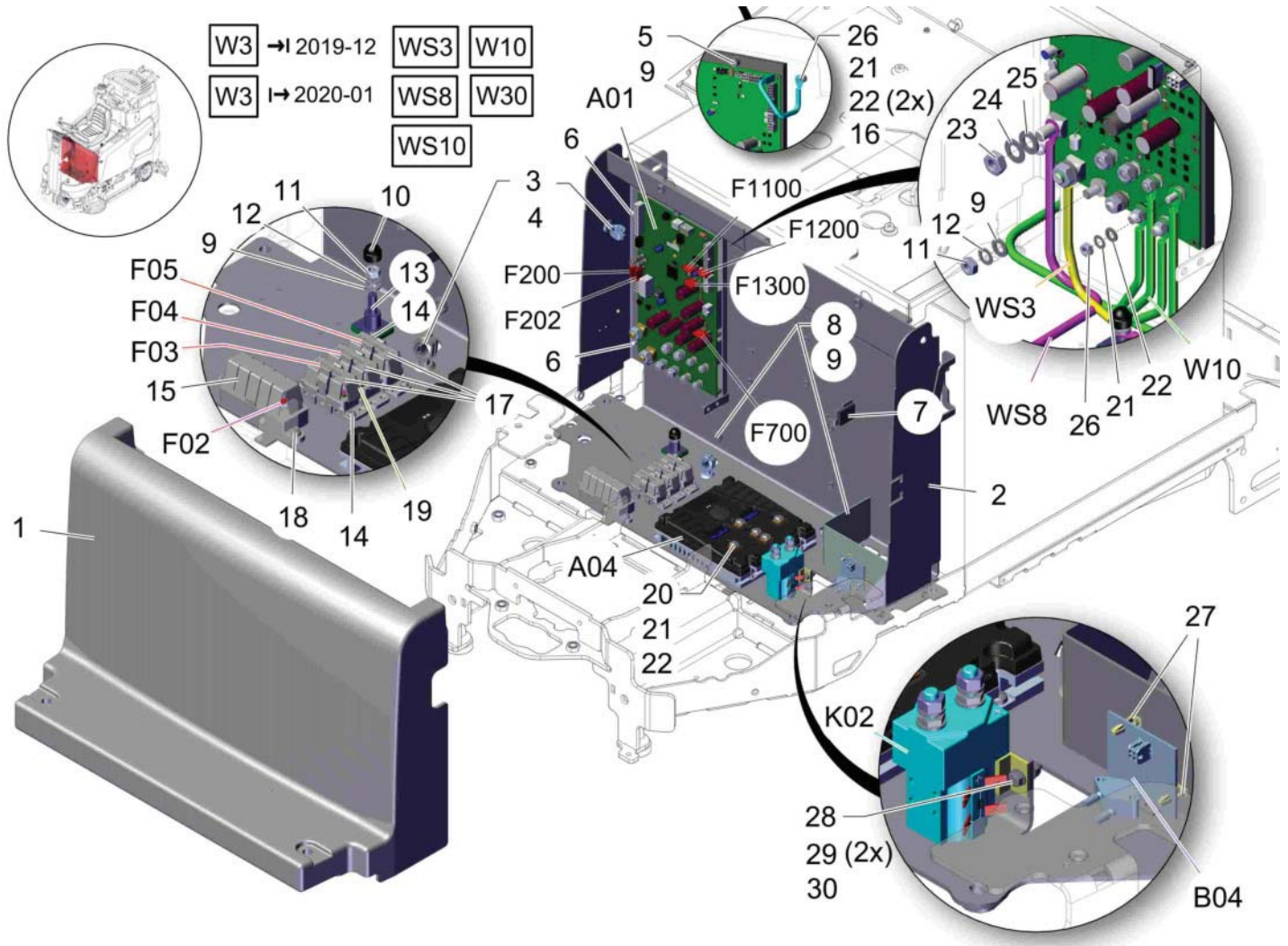
Item	Part number	Description	Qty.	Unit	Remarks
1	01015350	Hose clamp	1		
2	00112010	Hose	2,470		
3	00967760	Cable tie	4		
4	01376430	hose clamp	1		

Electric equipment (97141840_38)



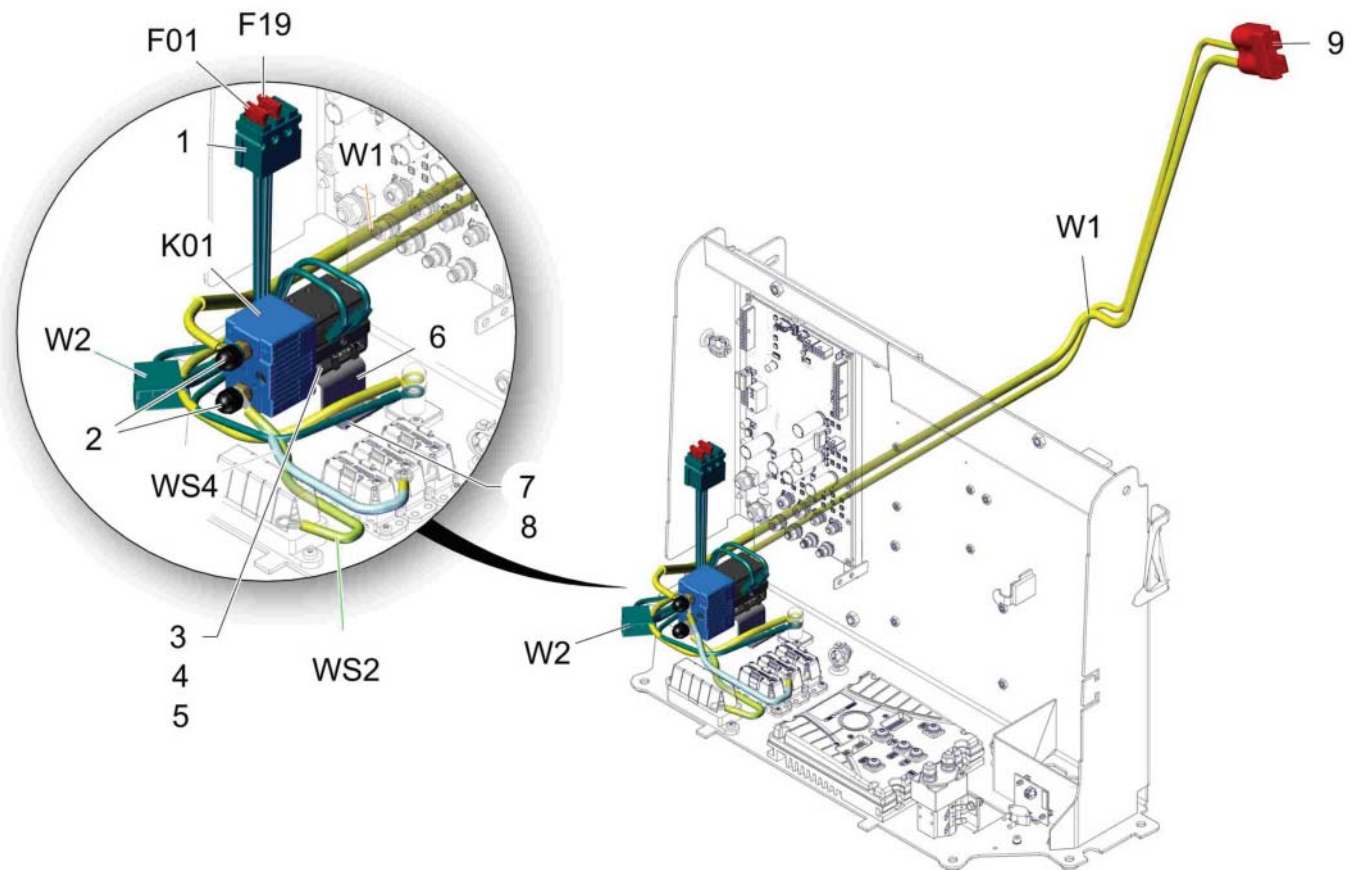
Item	Part number	Description	Qty.	Unit	Remarks
1	01373390	splash guard L.H.	1		
2	01133350	Lens flange screw	4		
3	01372230	gasket L.H.	1		
4	01373430	gasket sheet metal	1		
5	01222400	Sealing tape black	0,510		
6	01372340	gasket R.H..	1		
7	00050810	Signal horn	1		
8	01373360	splash guard R.H.	1		
9	00053090	Hexagon screw	5		
10	00740090	Detent edged washer	6		
11	00536320	Hex.bolt	1		
12	00131610	Lens cap	1		
13	EL_B175_38	Electric plate, configurable	1		

Base electric plate (97141907)



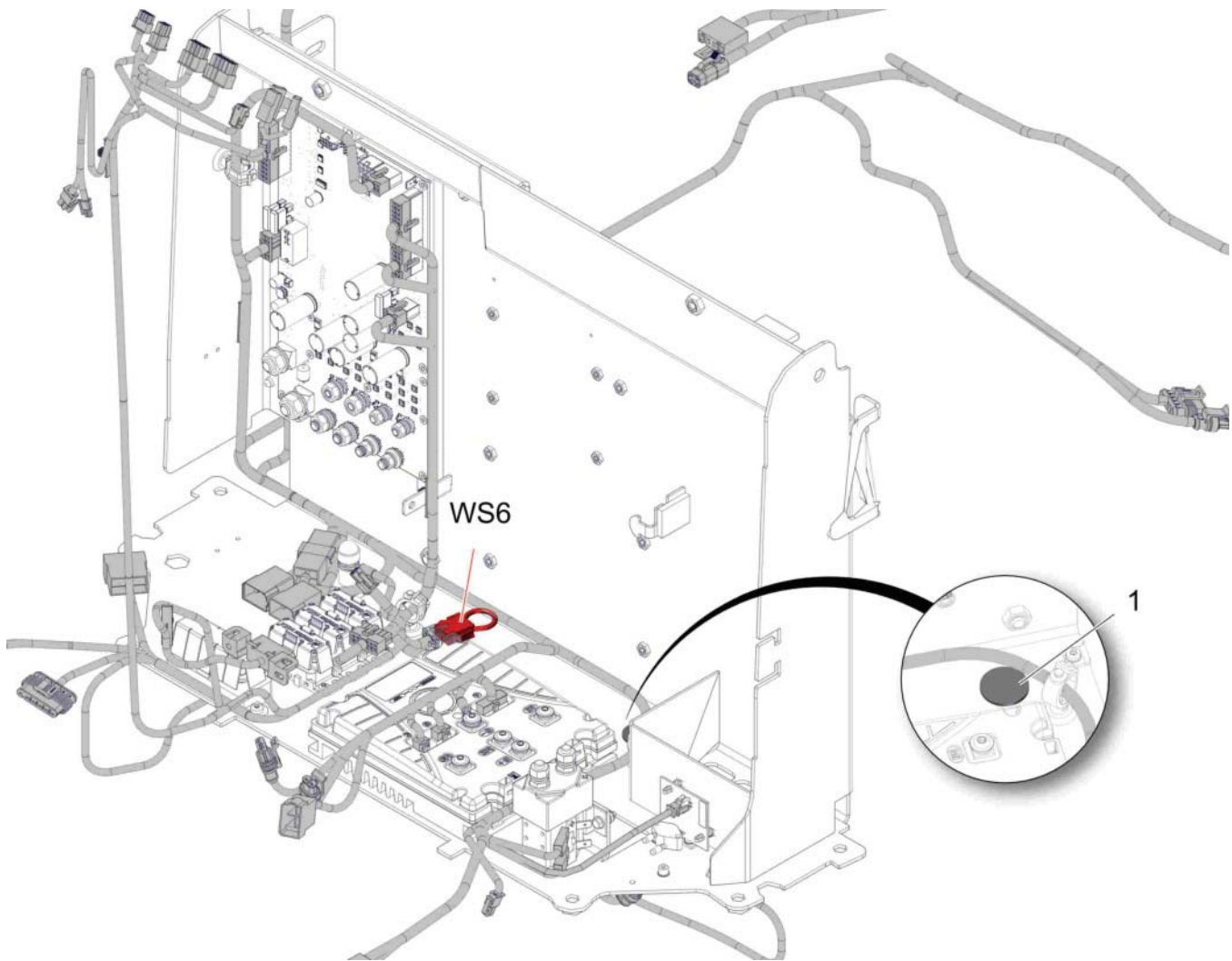
Item	Part number	Description	Qty.	Unit	Remarks
1	01372210	covering	1		
2	03020240	carrier	1		
3	01370250	retainer	3		
4	01370240	mounting feet	3		
5	00045540	Cylinder head screw	1		
6	01493500	Retainer	2		
7	01222400	Sealing tape black	0,030		
8	00151810	Hexagon screw	2		
9	00053750	Washer	8		
10	00131610	Lens cap	1		
11	00053350	Hex. Nut	5		
12	00053850	Spring washer	5		
13	00744670	Single clamp	1		
14	01112160	Screw	6		
15	01371390	fuse holder	1		
16	00872460	Countersunk screw	1		
17	01473870	Fuse holder	3		
18	00959220	Screw	6		
19	01376390	current bar	1		
20	01072520	Lens flange screw	5		
21	00053840	Spring washer	9		
22	00053730	Washer	10		
23	00053360	Hex. Nut	2		
24	00053860	Spring washer	2		
25	00053760	Washer	2		
26	00053330	Hex. Nut	5		
27	00745840	Print plate holder	2		
28	00054410	Hex.bolt	2		
29	00053720	Washer	4		
30	00051340	Hex. Nut	2		
A01	01379680	controller	1		incl. fuses F200, F202, F700, F1100, F1200, F1300
A04	01371510	driving control	1		
B04	01371480	pressure sensor	1		
F02	01371410	fuse link	1		machine controller
F03	01371300	fuse link	1		drive control front
F04	01371250	fuse link	1		drive control rear
F05	01371170	fuse link	1		front sweeper / side broom
F200	01376830	fuse link FKS C3A 80V	1		content of A1
F202	01376830	fuse link FKS C3A 80V	1		content of A1
F700	01376770	fuse link FKS C25A 80V	1		content of A1
F1100	00874970	Fuse	1		content of A1
F1200	00874970	Fuse	1		content of A1
F1300	00874970	Fuse	1		content of A1
K02	00965060	Solenoid switch	1		
W3a	03020300	wiring harness W3	1		til appr.2019-12
W3b	03022810	wiring harness W3			from appr.2020-01
W10	03020410	wiring harness W10	1		
W30	03020280	wiring harness W30	1		
WS3	03020430	cable loom WS3	1		
WS8	03020290	cable loom WS8	1		
WS10	03020420	cable loom WS10	1		

Electric plate without onboard charger (97159404)



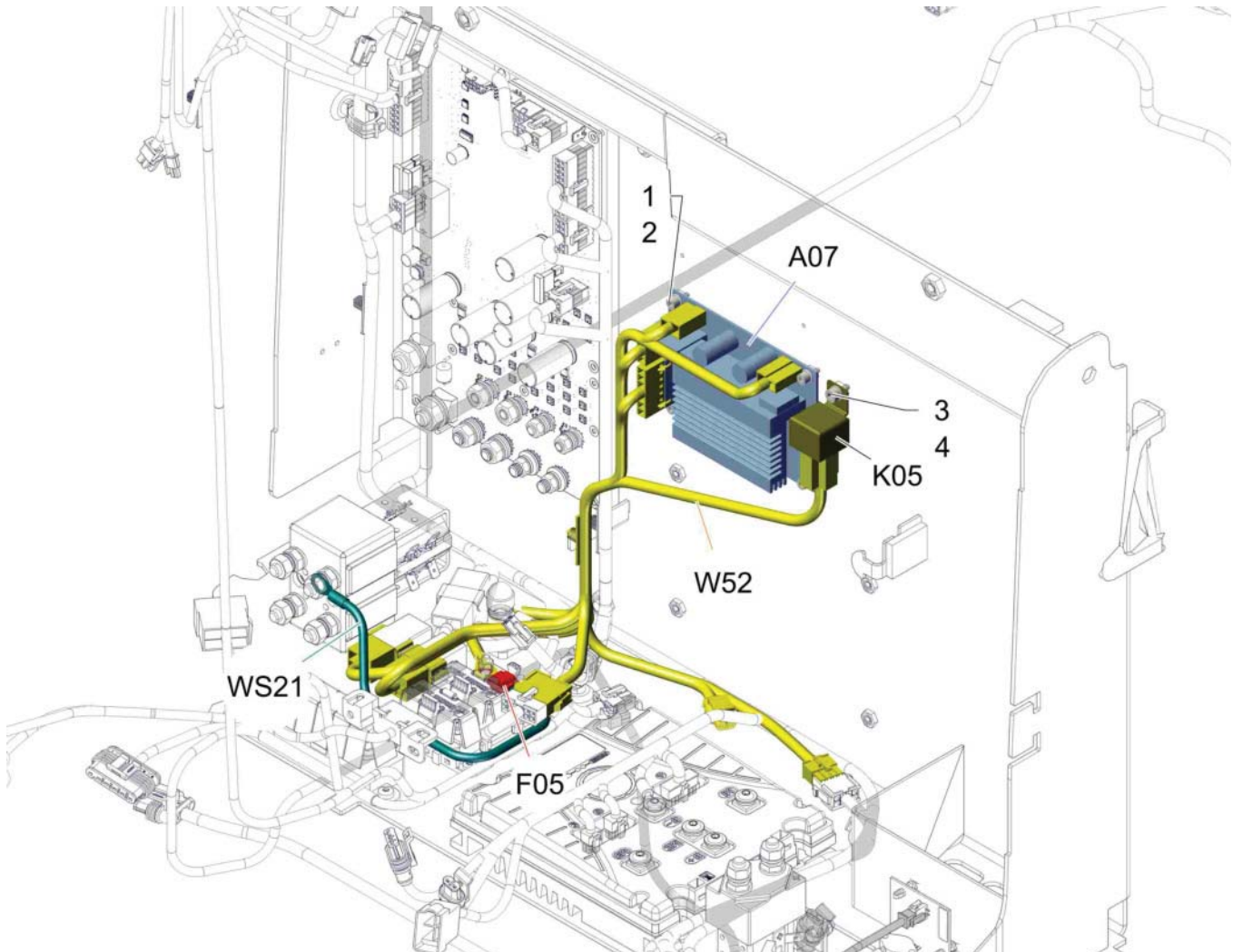
Item	Part number	Description	Qty.	Unit	Remarks
1	00733650	Fuse holder	3		content of wiring harness W2
2	00131610	Lens cap	2		
3	00552300	Fillister-head screw	2		
4	00053830	Spring washer	2		
5	00053720	Washer	2		
6	01373230	retainer	1		
7	01112160	Screw	4		
8	00053710	Washer	4		
9	01075720	Connector red	1		content of wiring harness W1
F01	01371450	fuse link 7,5A 80V	1		controller
F19	00874950	Fuse	1		horn
K01	01371500	solenoid switch	1		
W1	03021550	wiring harness W1	1		
W2	03020320	wiring harness W2	1		
WS2	03020510	cable loom WS2	1		
WS4	03020400	cable loom WS4	1		

Electric plate without 4-wheel drive (97141873)



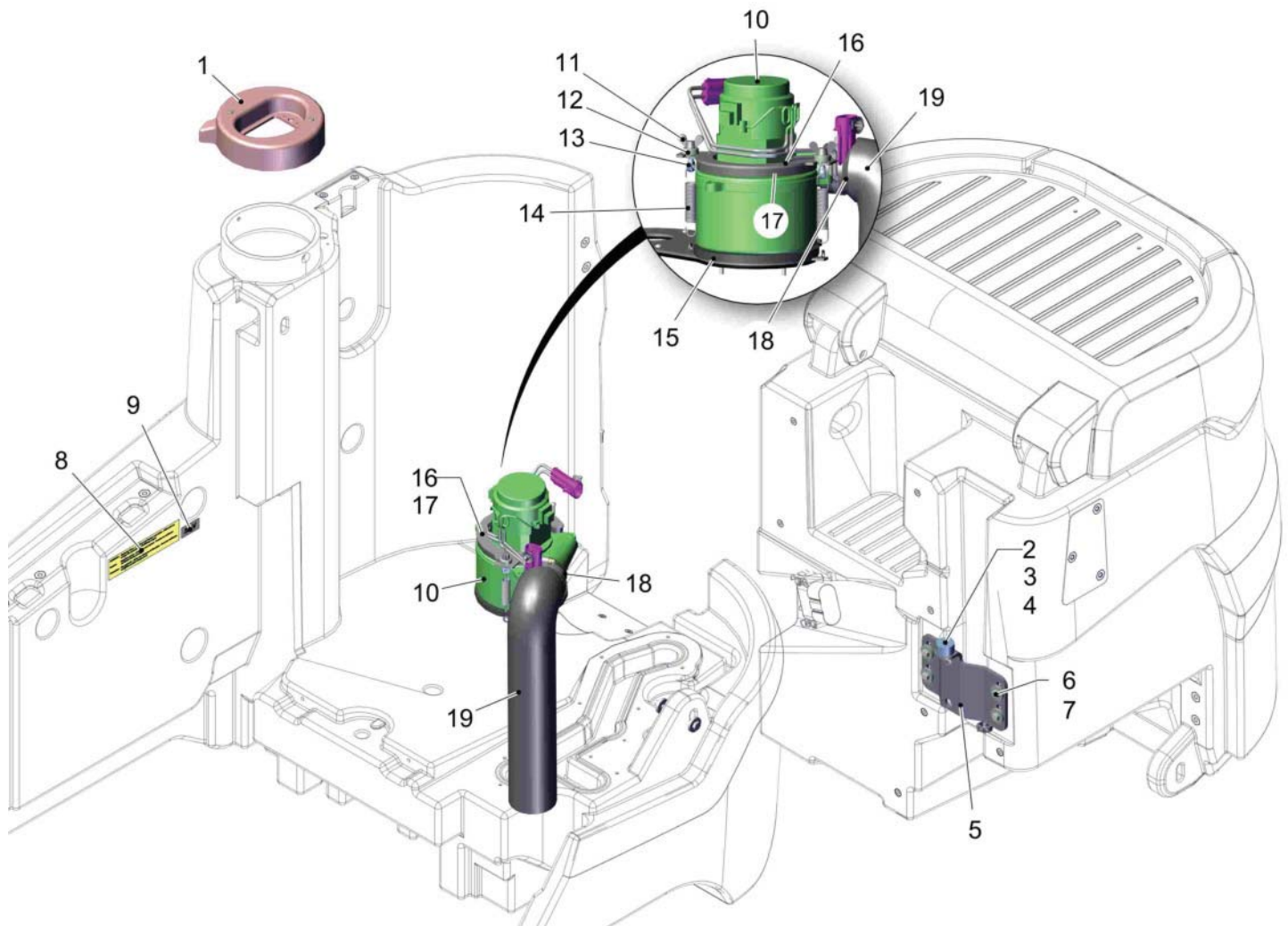
Item	Part number	Description	Qty.	Unit	Remarks
1	00152850	Drain plug	1		
WS6	03020460	cable loom WS6	1		release single wheel drive

Electric plate with option side broom system (97141857)



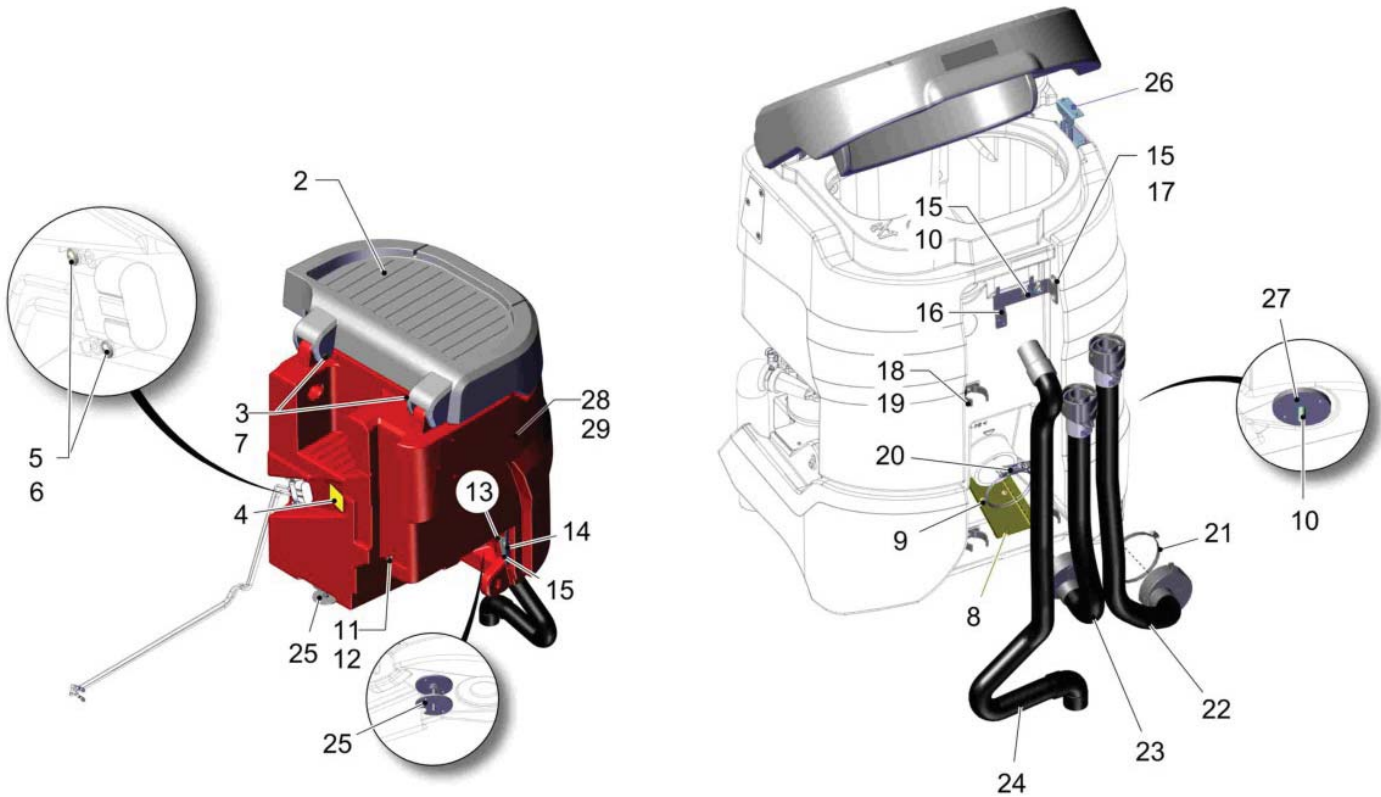
Item	Part number	Description	Qty.	Unit	Remarks
1	---	Spare part on request	4		11126364 socket head screw
2	00053710	Washer	4		
3	01015310	Cylinder head screw	1		
4	00053720	Washer	1		
A07	01072710	Side brush	1		
F05	01371170	fuse link	1		front sweeper / side broom
K05	00965030	Relay	1		Lifting of side brushes
W52	03020260	wiring harness W52	1		
WS 21	03021560	cable loom WS21	1		

Tank group without tanks (97162747)



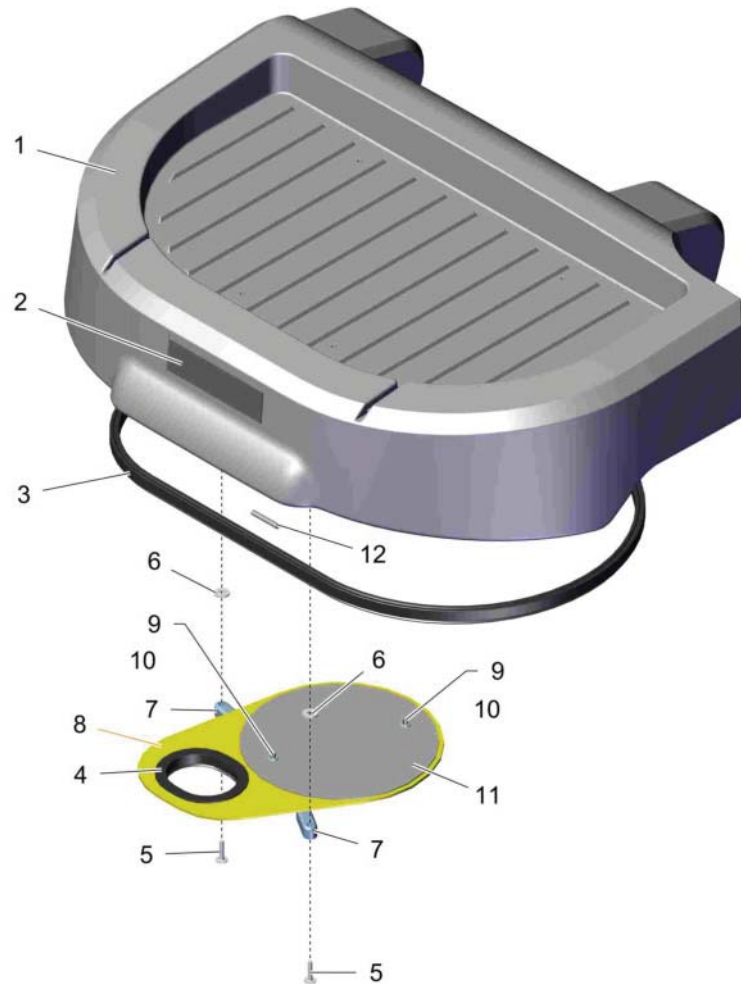
Item	Part number	Description	Qty.	Unit	Remarks
1	01372190	cover	1		
2	00733560	Rubber-metal buffer	1		
3	00053080	Hexagon screw	1		
4	00740080	Washer	1		
5	01373070	seat bearing	1		
6	00053090	Hexagon screw	4		
7	00047990	Disk wheel	8		
8	01174740	Decal explosive gazes	1		
9	01371680	decal 36 V	1		
10	01372140	suction turbine	1		
10	01381950	carbon brush	2		
11	00054020	Wing nut	2		
12	00903210	Knurled nut	2		
13	00508770	Eye bolt	2		
14	01380070	tension spring	2		
15	01371800	sealing ring	1		
16	01372880	clamping sheet metal	1		
17	01071550	Seal	1		
18	00732130	Hose clamp	1		
19	00471570	Hose	1		

Foul water tank red (97162721-97162739_PB_1)



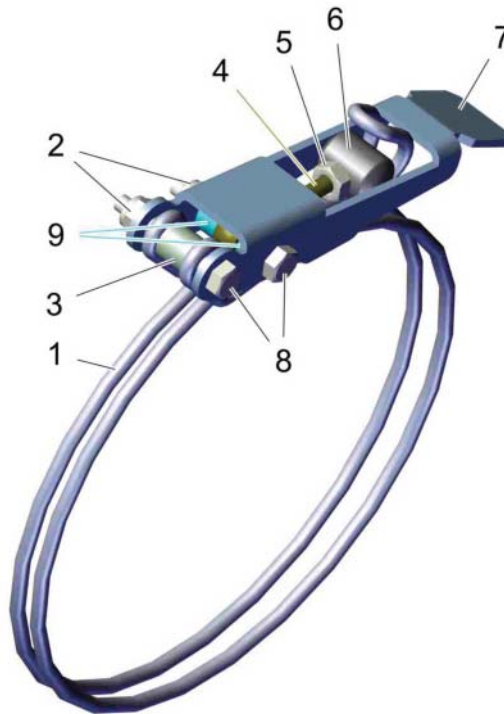
Item	Part number	Description	Qty.	Unit	Remarks
2	97138275-B_27	Cover	1		
3	01372940	cover axle	2		
4	---	Spare part on request	1		17268541 decal
5	01110780	Lens flange screw	2		
6	00053730	Washer	2		
7	01136440	Sealing plug	2		
8	01373450	dirt chute	1		
9	01072520	Lens flange screw	6		
10	01372150	bolt	1		
11	01370250	retainer	1		
12	01370240	mounting feet	1		
13	01373560	cable support	1		
14	01373420	hinge sheet metal	1		
15	01006820	Lens flange screw	6		
16	01373640	connecting angle	1		
17	00042900	Washer	2		
18	01375310	clip	3		
19	01000850	Lens flange screw	3		
20	97146237	Clamping piece	1		
21	01014640	Hose clamp	1		
22	01372360	Solution hose	1		
23	01372410	Recovery hose	1		
24	01371890	suction hose	1		
25	97149587	Height adjustment	1		
26	97159743	Cover's put-up hinge	1		
26	97139414	Cover's put-up hinge	1		
27	01372920	plate	4		
28	01377880	foul water tank red B175 (01377880)	1		
29	01377970	foul water tank red antibacterial B175 (01377970)	1		

Cover (97138275-B_27)



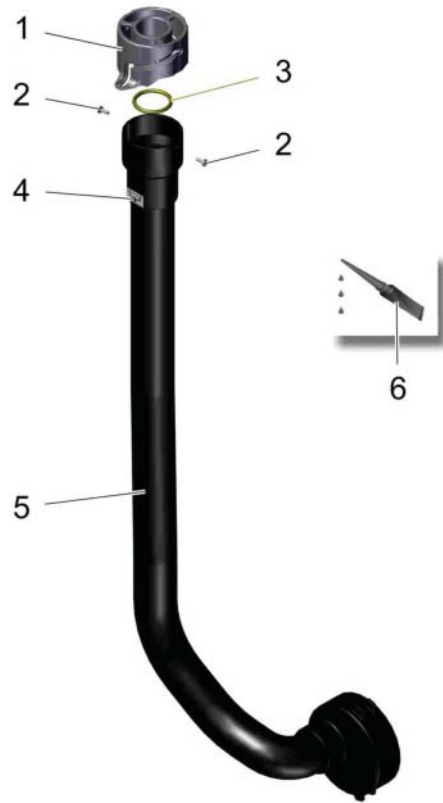
Item	Part number	Description	Qty.	Unit	Remarks
1	03019490	cover	1		
2	03021580	decal POWERBOSS	1		
3	01071770	Sealing profile	1,780		
4	00681570	Edge protection	0,310		
5	01082530	Lens flange screw	2		
6	00854210	Washer	2		
7	00968190	Toggle	2		
8	01376490	filter carrier	1		
9	01076740	Rivet	2		
10	00102150	Washer	2		
11	01375490	strainer	1		
12	01090200	Hose	0,040		

Clamping piece (97146237)



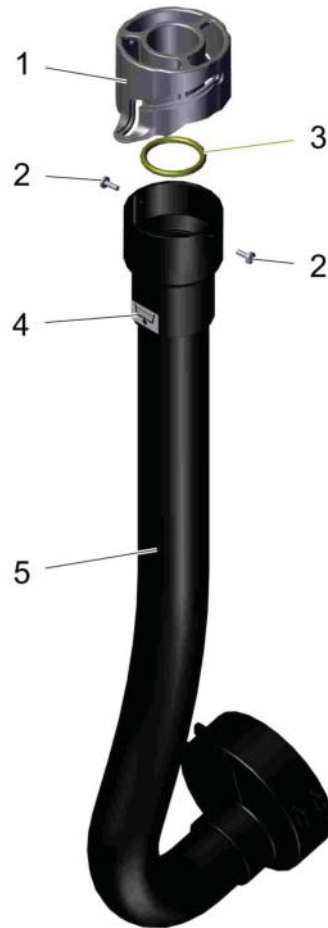
Item	Part number	Description	Qty.	Unit	Remarks
1	01371580	clamping piece	1		
2	01017660	Hex. Nut	2		
3	01372440	bushing	1		
4	01077500	Eye bolt	1		
5	00902250	Hex. Nut	1		
6	01372380	threaded pin	1		
7	01372430	clamping piece lever	1		
8	01079890	Hexagon screw	2		
9	01372390	bushing	2		

Solution hose (01372360)



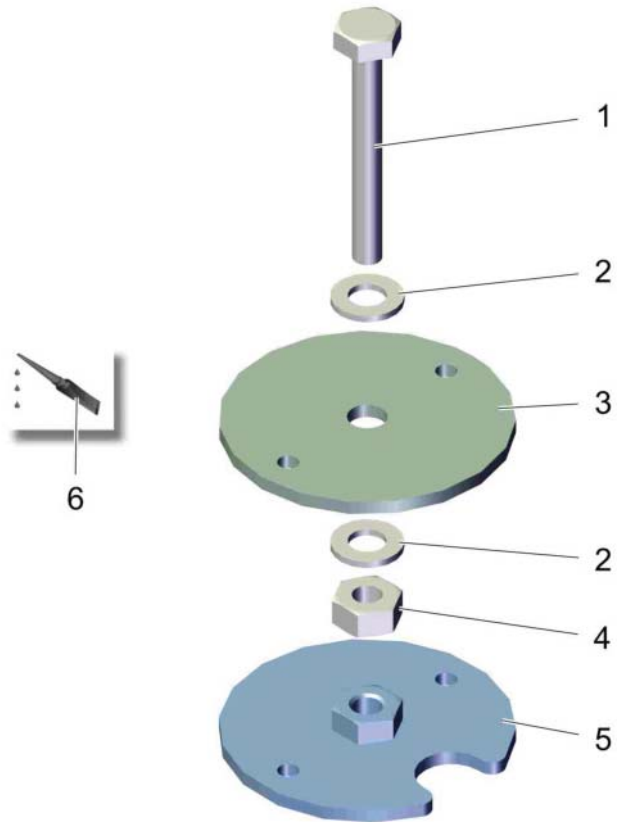
Item	Part number	Description	Qty.	Unit	Remarks
1	00142230	Cover	1		
2	00108650	Fillister-head screw	2		
3	01177960	O-Ring	1		
4	01170150	Decal SOLUTION TANK	1		
5	-	Not supplied alone!			If needed order hose compl. 01372360, please!
6	03009260	LOCTIDE sealing compound	1		

Recovery hose (01372410)



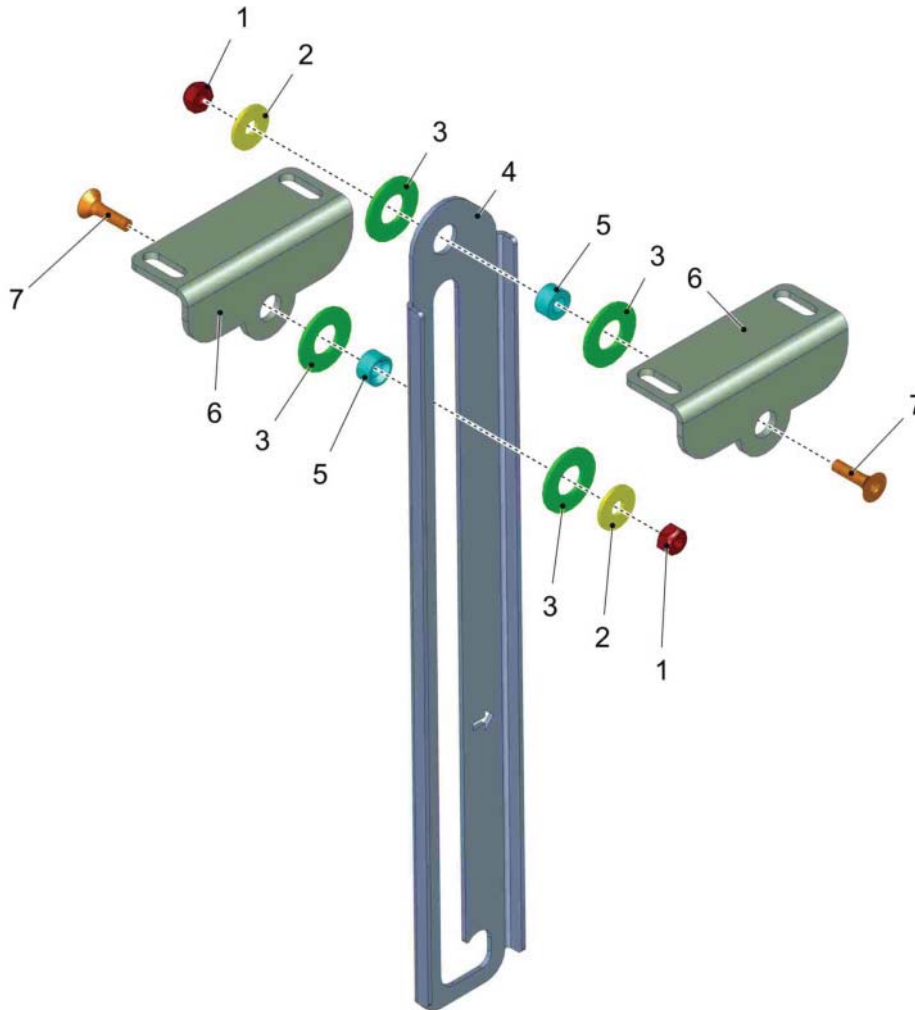
Item	Part number	Description	Qty.	Unit	Remarks
1	00142230	Cover	1		
2	00108650	Phillister-head screw	2		
3	01177960	O-Ring	1		
4	01170060	Decal FOUL WATER	1		
5	-	Not supplied alone!			If needed order hose compl. 01372410, please!

Height adjustment (97149587)



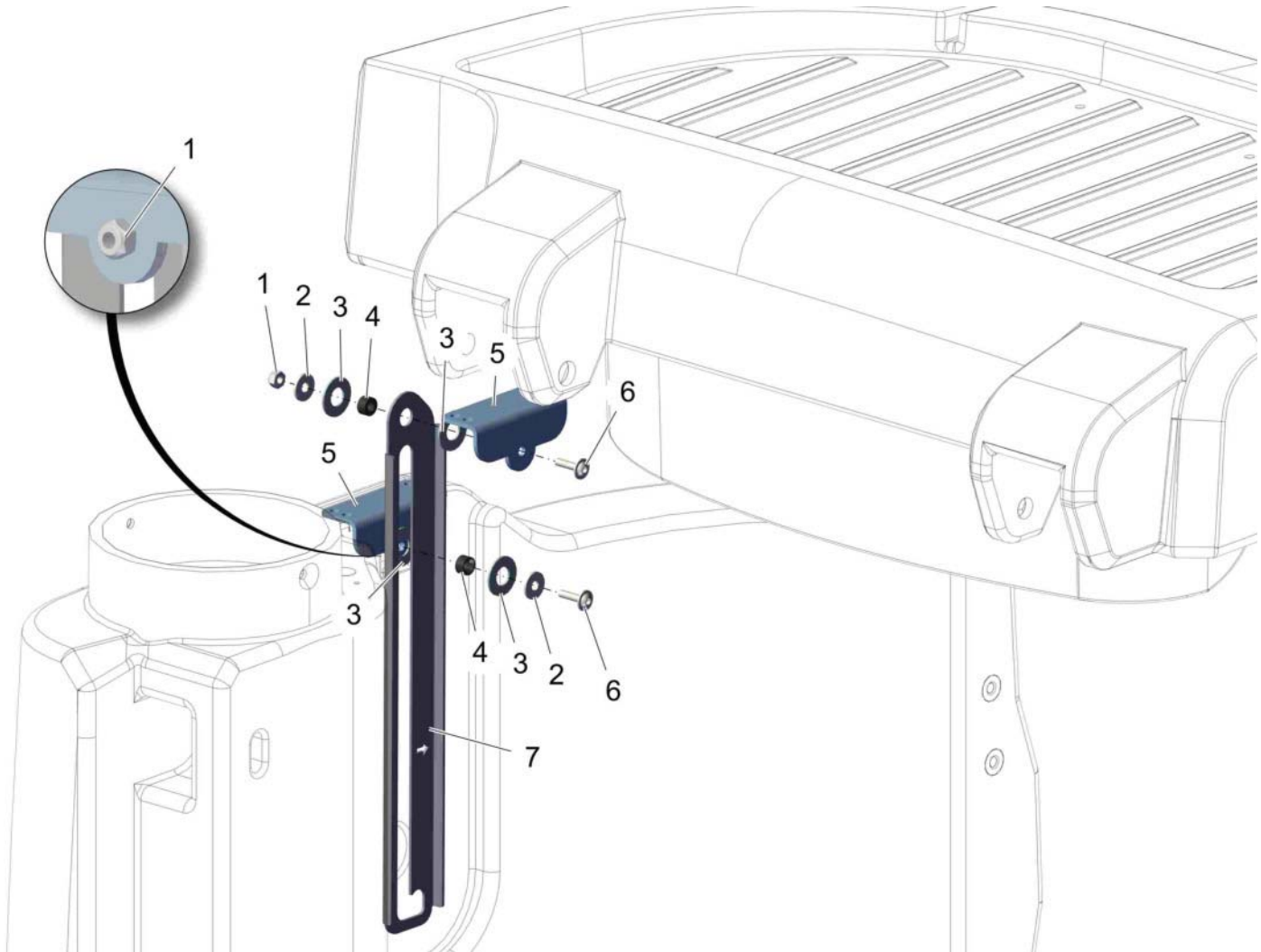
Item	Part number	Description	Qty.	Unit	Remarks
1	00102270	Hex.bolt	2		
2	00053760	Washer	4		
3	01372920	plate	2		
4	00053360	Hex. Nut	2		
5	---	Spare part on request	2		96154695 plate
6	03009260	LOCTIDE sealing compound	1		

Cover's put-up hinge (97159743)



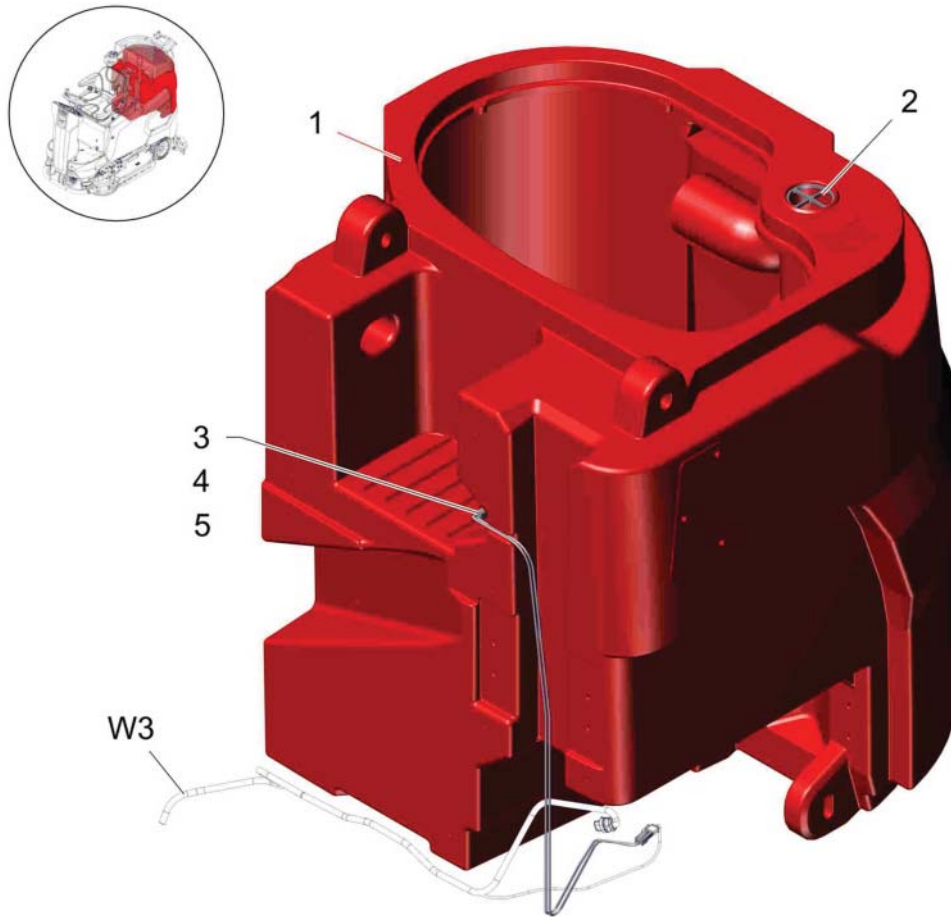
Item	Part number	Description	Qty.	Unit	Remarks
1	00102140	Hex. Nut	2		
2	00854210	Washer	2		
3	01102770	Approach disk	4		
4	01372950	cover put-up hinge	1		
5	01279800	bushing	2		
6	---	Spare part on request	2		92061068 put-up hinge bearing
7	00054720	Countersunk screw	2		

Cover's put-up hinge (97139414)



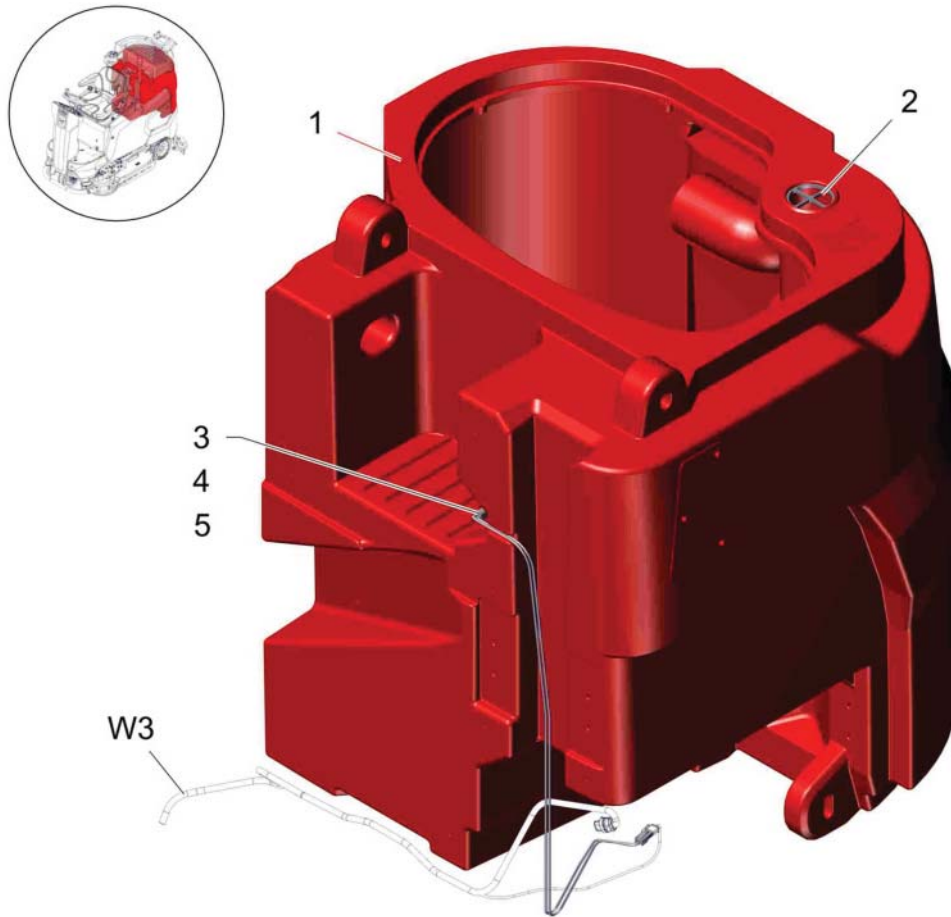
Item	Part number	Description	Qty.	Unit	Remarks
1	00102140	Hex. Nut	2		
2	00854210	Washer	2		
3	01102770	Approach disk	4		
4	01279800	bushing	2		
5	01372960	put-up hinge bearing	2		
6	01174700	Lens flange screw	2		
7	01372950	cover put-up hinge	1		

Foul water tank red B175 (01377880)



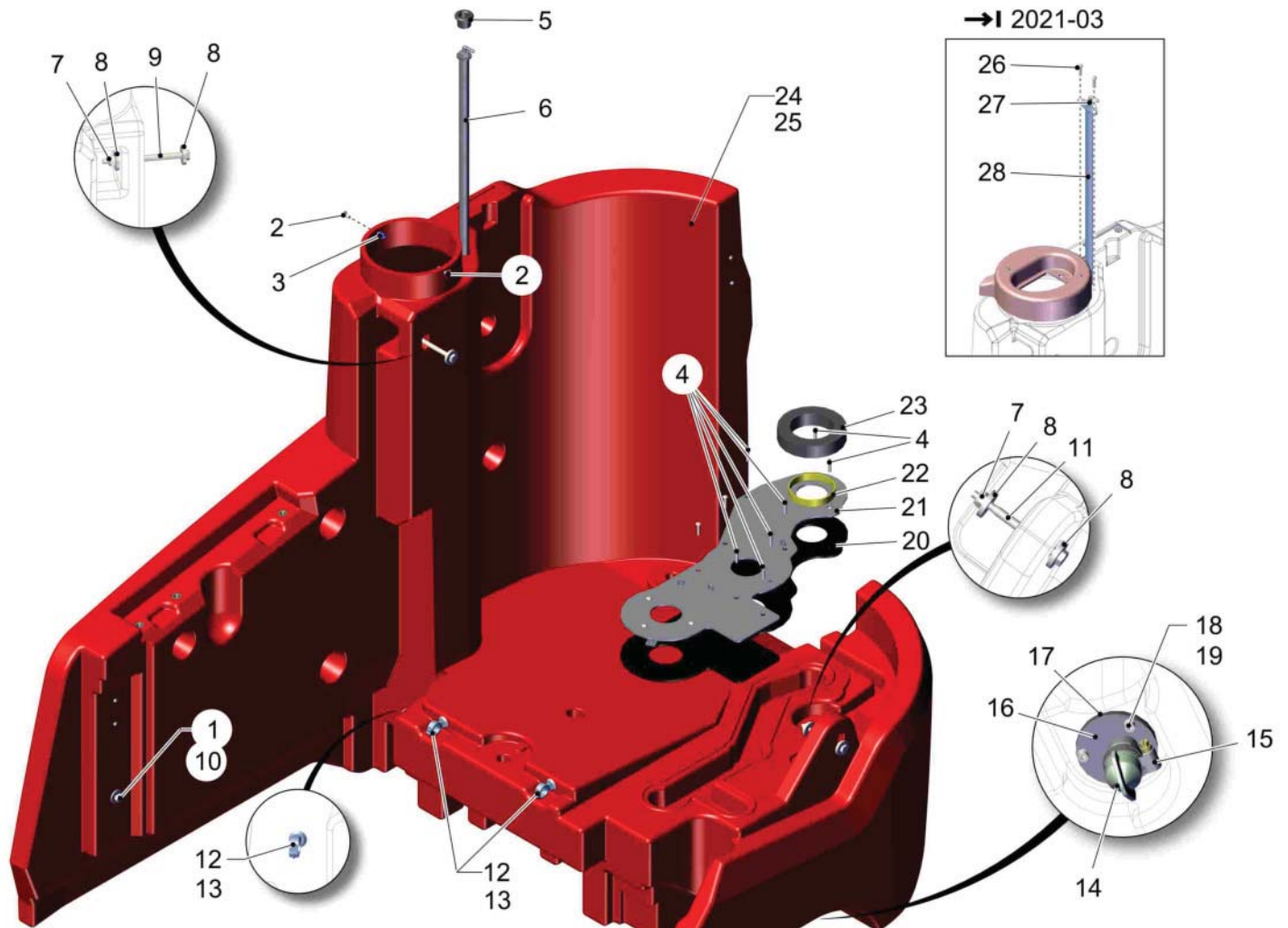
Item	Part number	Description	Qty.	Unit	Remarks
1	-	Not supplied alone!			If needed order the complete foul water tank 01377880, please!
2	01373290	intake protective disk	1		
3	00959650	Float switch	1		
4	01372420	pin housing (2 pin)	1		
5	01372370	tab-cont. Mini-Fit Jr. (0,25-1,00)	2		

Foul water tank red antibacterial B175 (01377970)



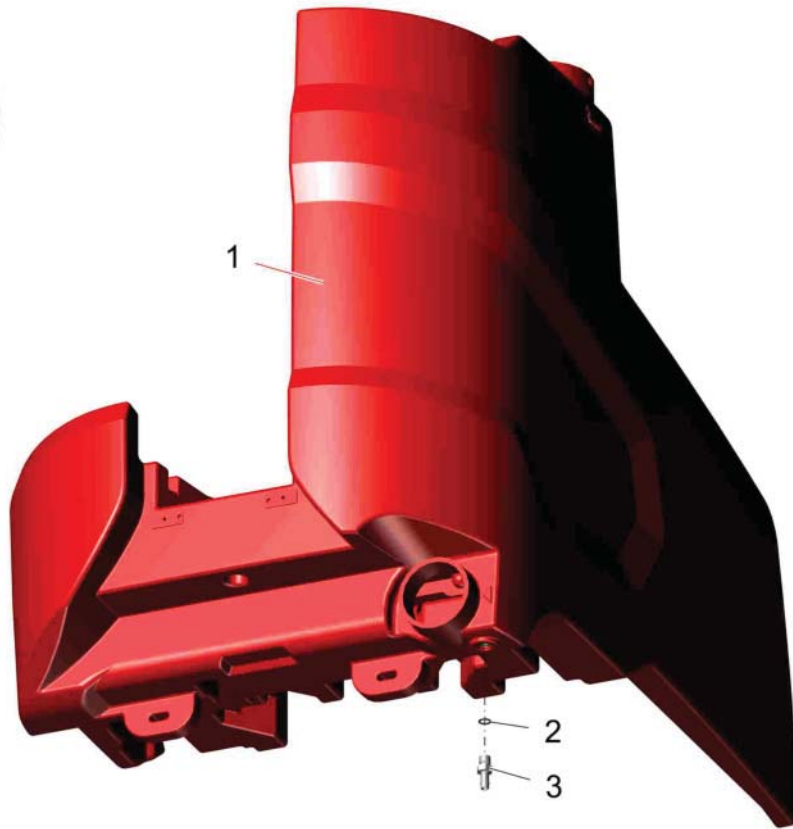
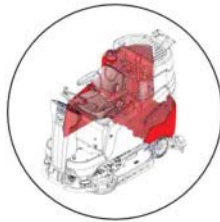
Item	Part number	Description	Qty.	Unit	Remarks
1	-	Not supplied alone!			If needed order the complete foul water tank 01377970, please!
2	01373290	intake protective disk	1		
3	00959650	Float switch	1		
4	01372420	pin housing (2 pin)	1		
5	01372370	tab-cont. Mini-Fit Jr. (0,25-1,00)	2		

Fresh water tank red (97162721-97162739_2)



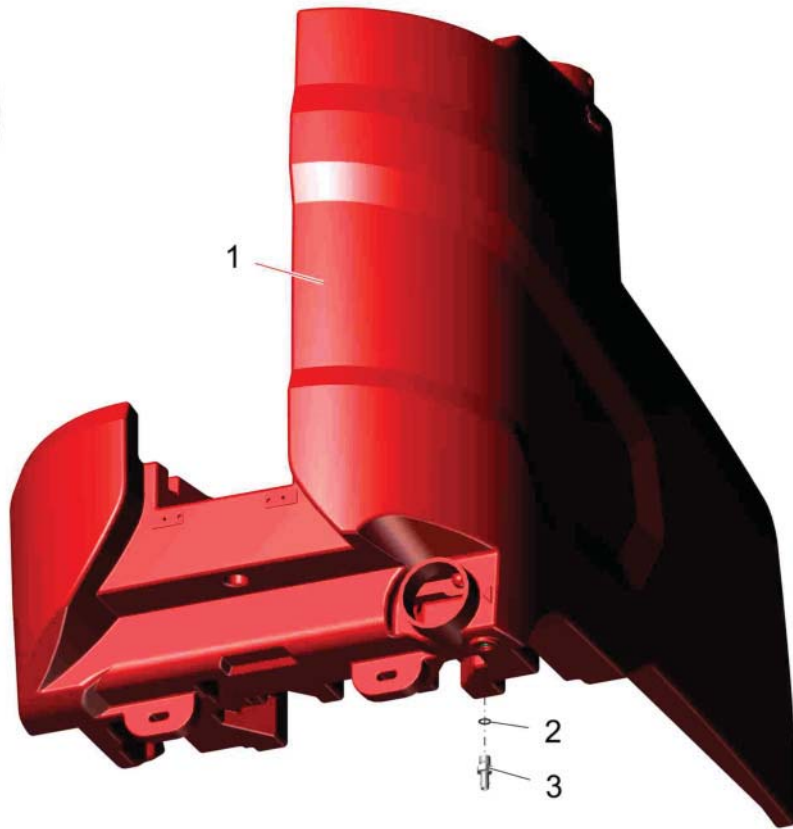
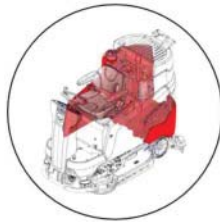
Item	Part number	Description	Qty.	Unit	Remarks
1	00553690	Hex.bolt	1		
2	00028470	Countersunk screw	2		
3	01372790	bolt	2		
4	01078160	Screw	14		
5	---	Spare part on request	1		92056159 cable sleeve
6	---	Spare part on request	1		96164934 probe
7	00051510	Hex. Nut	2		
8	00047990	Disk wheel	2		
9	00053150	Hex.bolt	1		
10	00042900	Washer	1		
11	00053140	Hex.bolt	1		
12	01370250	retainer	3		
13	01370240	mounting feet	3		
14	00054560	Valve	1		
15	00733160	Hose clamp	1		
16	01373830	flowing off	1		
17	01371920	gasket	1		
18	01178830	Socket head screw	3		
19	00902270	Washer	3		
20	01371850	gasket	1		
21	01373790	cover plate	1		
22	01371770	tubular support	1		
23	01371740	gasket	1		
24	01374890	fresh water tank red	1		
25	01374930	fresh water tank red Antibacterial	1		
26	01078160	Screw	2		til appr. 2021-03
27	01372670	screwed socket	1		til appr. 2021-03
28	---	Spare part on request	1		96163829 pipe; til appr. 2021-03

Fresh water tank red (01374890)



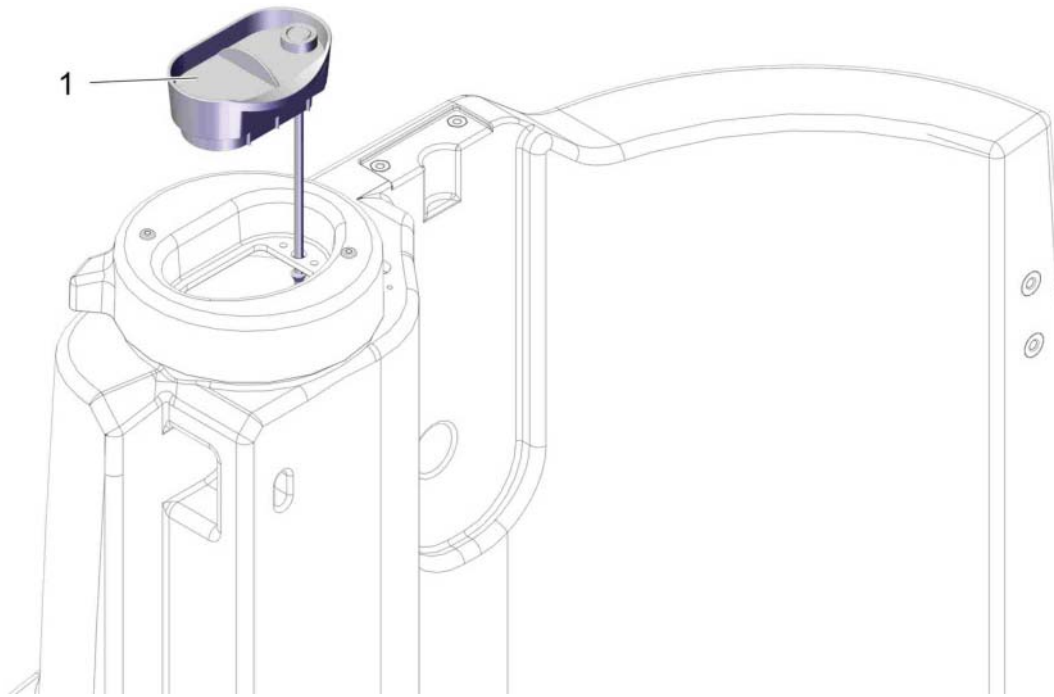
Item	Part number	Description	Qty.	Unit	Remarks
1	-	Not supplied alone!			If needed order the complete fresh water tank 01374890, please!
2	00057720	O-ring oil resistant	1		
3	01072180	Screwed plug	1		

Fresh water tank red antibacterial (01374930)



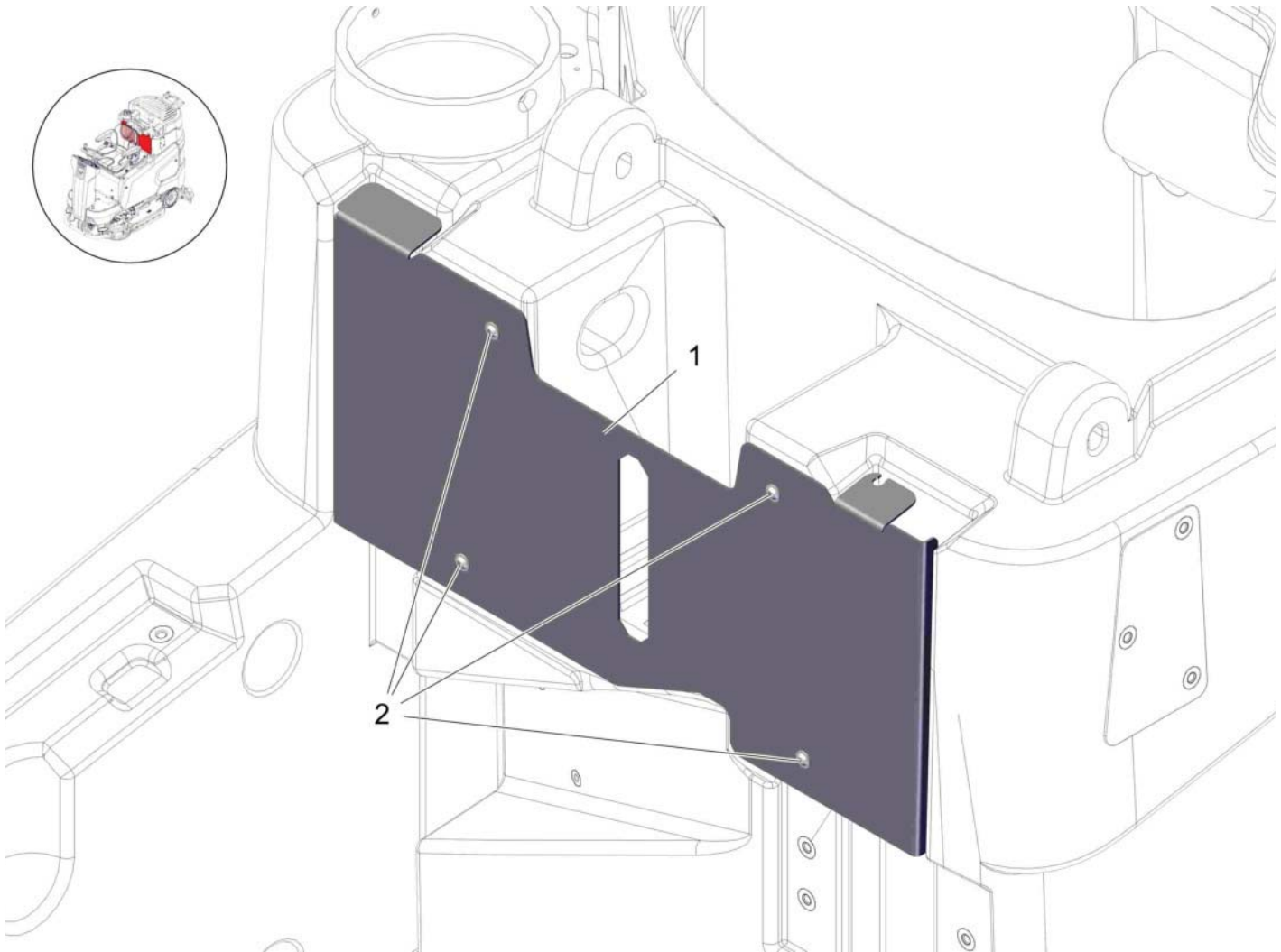
Item	Part number	Description	Qty.	Unit	Remarks
1	-	Not supplied alone!			If needed order the complete fresh water tank 01374930, please!
2	00057720	O-ring oil resistant	1		
3	01072180	Screwed plug	1		

Fresh water cap (variant without automatic filling unit) (97143937)



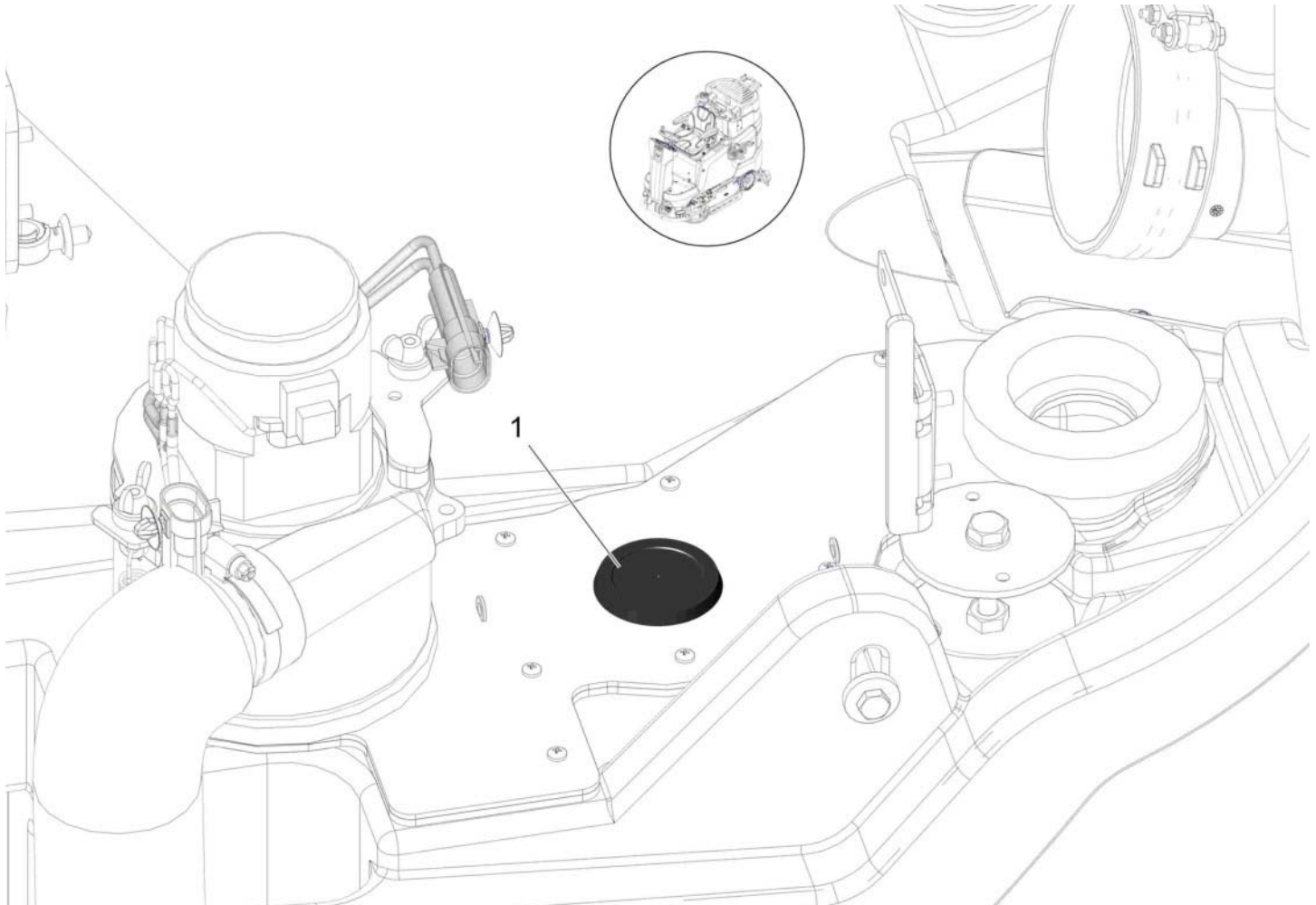
Item	Part number	Description	Qty.	Unit	Remarks
1	01173540	Fresh water cap	1		

Cover (variant without driver canopy) (97140727)



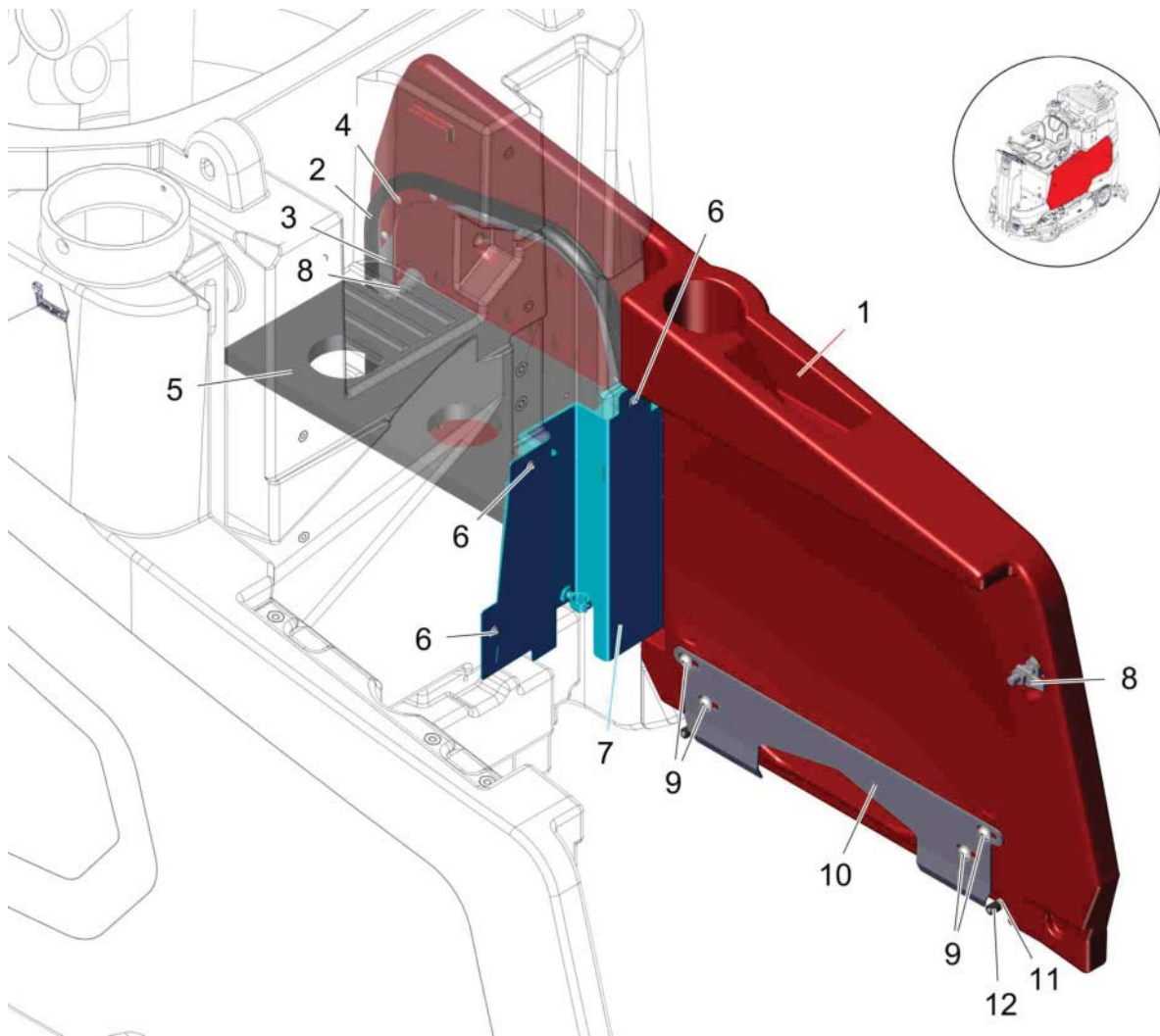
Item	Part number	Description	Qty.	Unit	Remarks
1	01373010	cover	1		
2	01072520	Lens flange screw	4		

Sealing plug (variant without second suction turbine) (97140537)



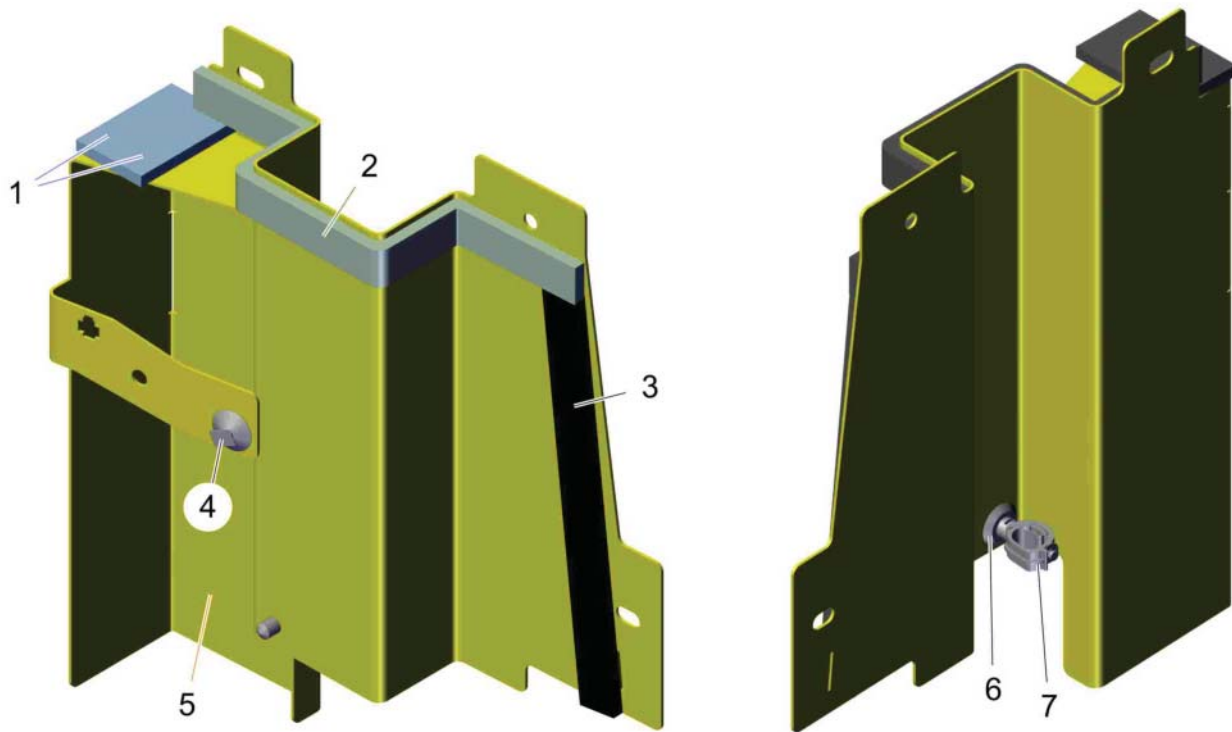
Item	Part number	Description	Qty.	Unit	Remarks
1	---	Spare part on request	1		15590201 sealing plug

Side covering L.H. - separating panel (97140560)



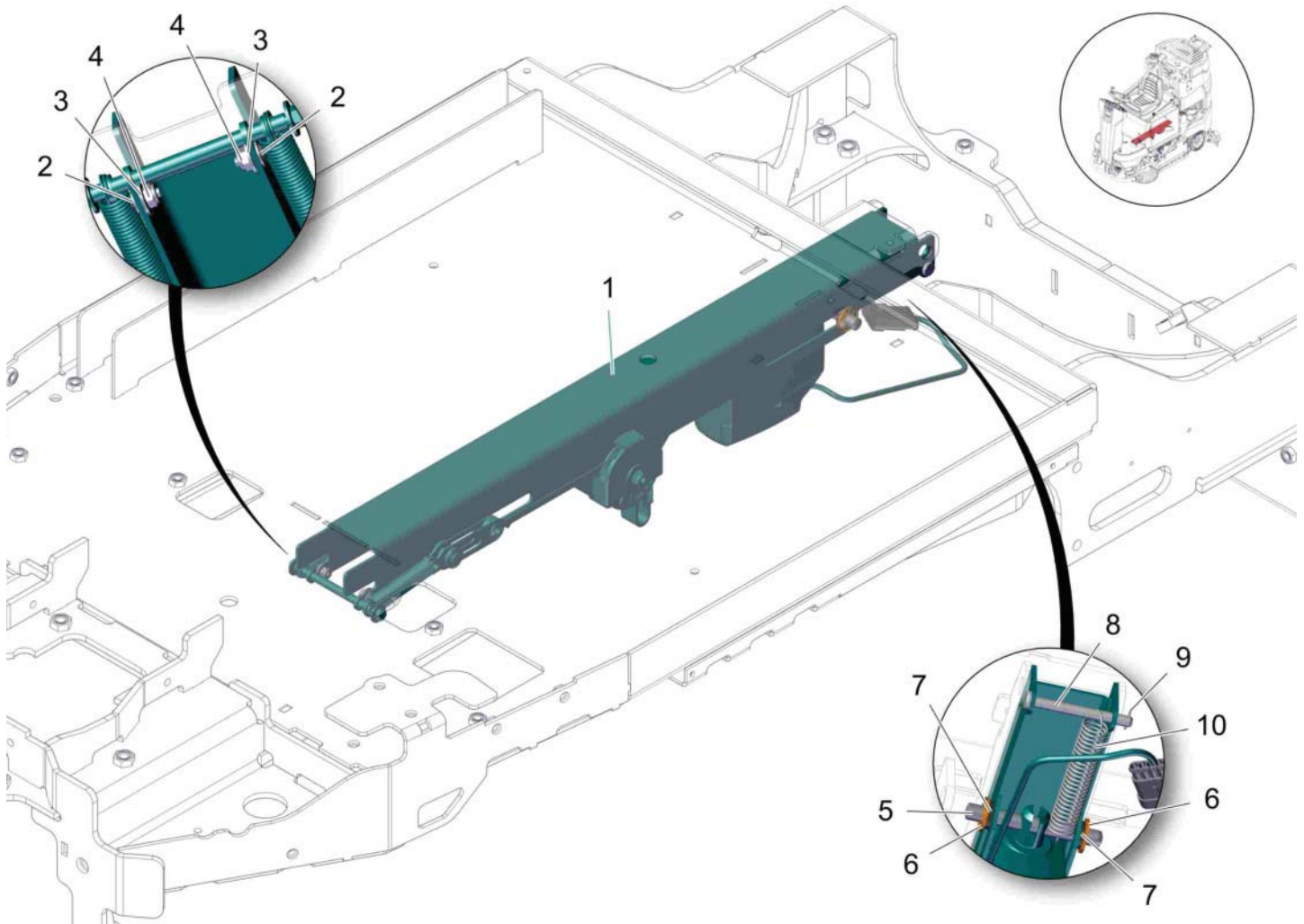
Item	Part number	Description	Qty.	Unit	Remarks
1	03019520	side covering	1		
2	---	Spare part on request	0,980		25583279 sealing profile
3	01373470	holding plate	1		
4	00905520	Round head screw	11		
5	01371380	sealing plate	1		
6	01072520	Lens flange screw	3		
7	97145783	Separating plate	1		
8	00975120	Bolt lock	2		
9	01133350	Lens flange screw	4		
10	01373340	clamping plate	1		
11	00539730	Screw	2		
12	00905570	Bushing	2		

Separating plate (97145783)



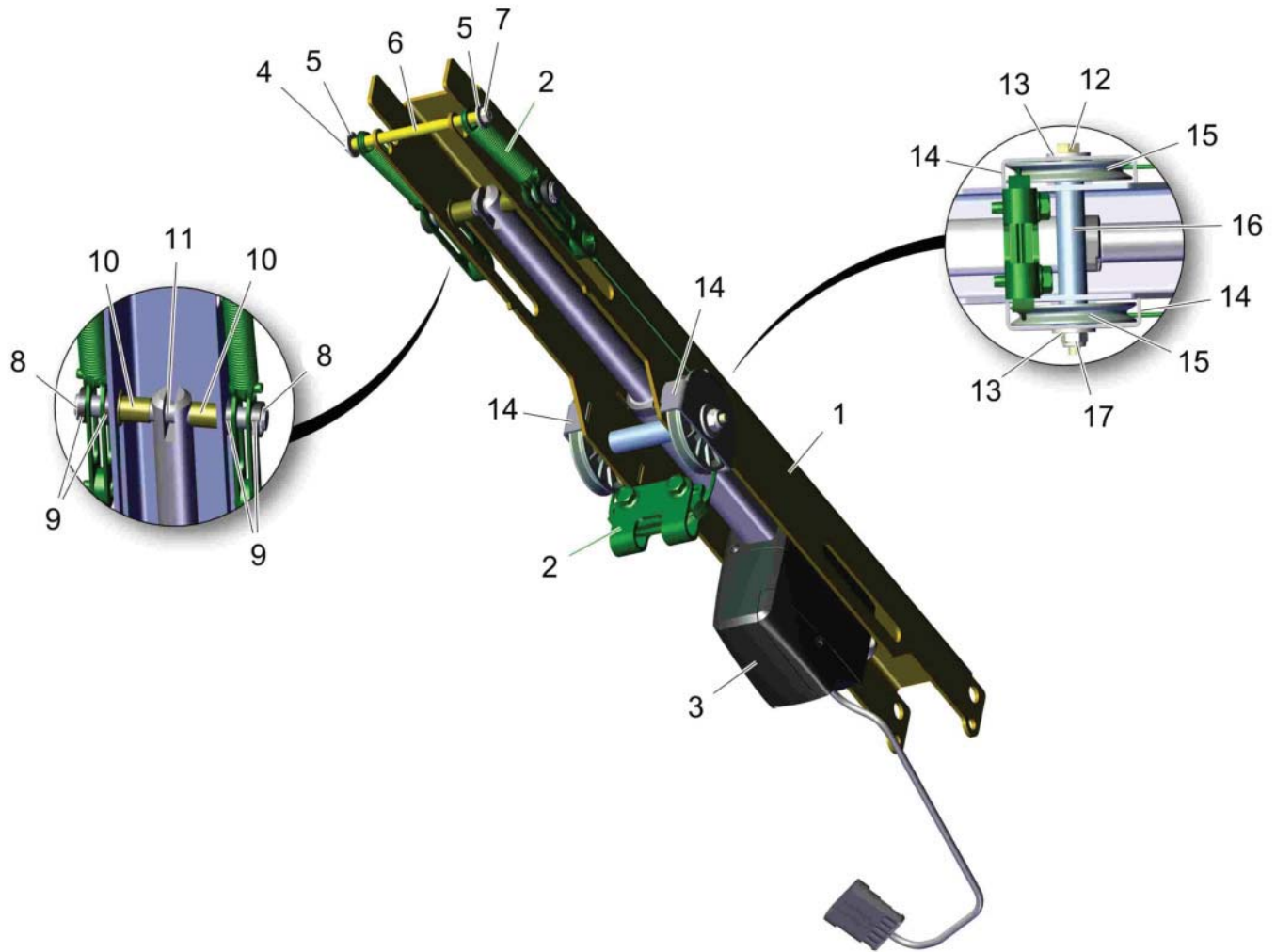
Item	Part number	Description	Qty.	Unit	Remarks
1	01031000	Sealing tape	0,120		
2	01031000	Sealing tape	0,320		
3	01031000	Sealing tape	0,220		
4	01278080	Mounting clip	1		
5	01372800	separating plate	1		
6	01370240	mounting feet	1		
7	01370250	retainer	1		

Lifting cylindrical brush head (97144927)



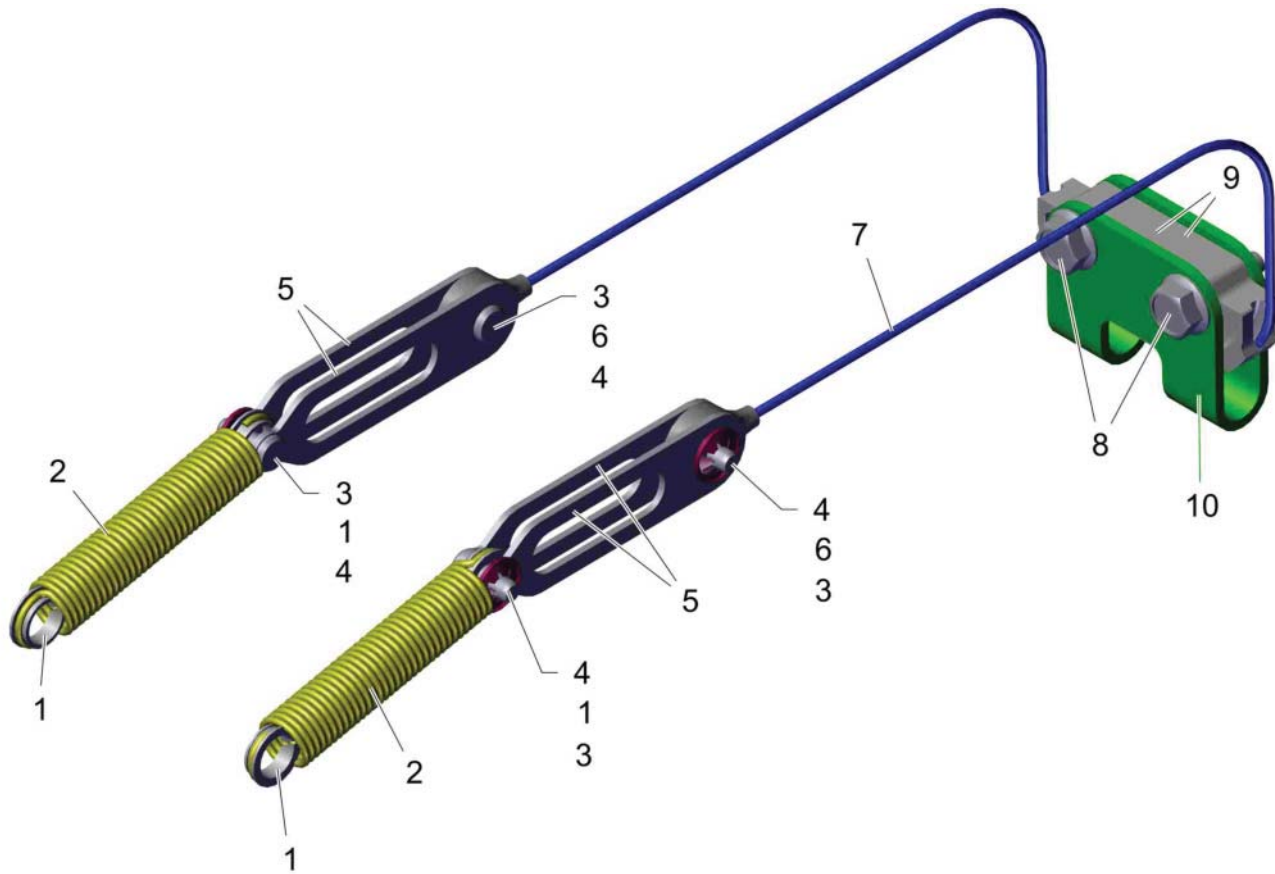
Item	Part number	Description	Qty.	Unit	Remarks
1	97138721	Lifting	1		
2	01000850	Lens flange screw	2		
3	00135120	Washer	2		
4	00051520	Hex. Nut	2		
5	01279660	straight pin	1		
6	00706180	Thrust washer	2		
7	01370680	bushing	2		
8	01078220	Bolt	1		
9	00551150	Cotter pin	1		
10	01055930	Tension spring	1		

Lifting (97138721)



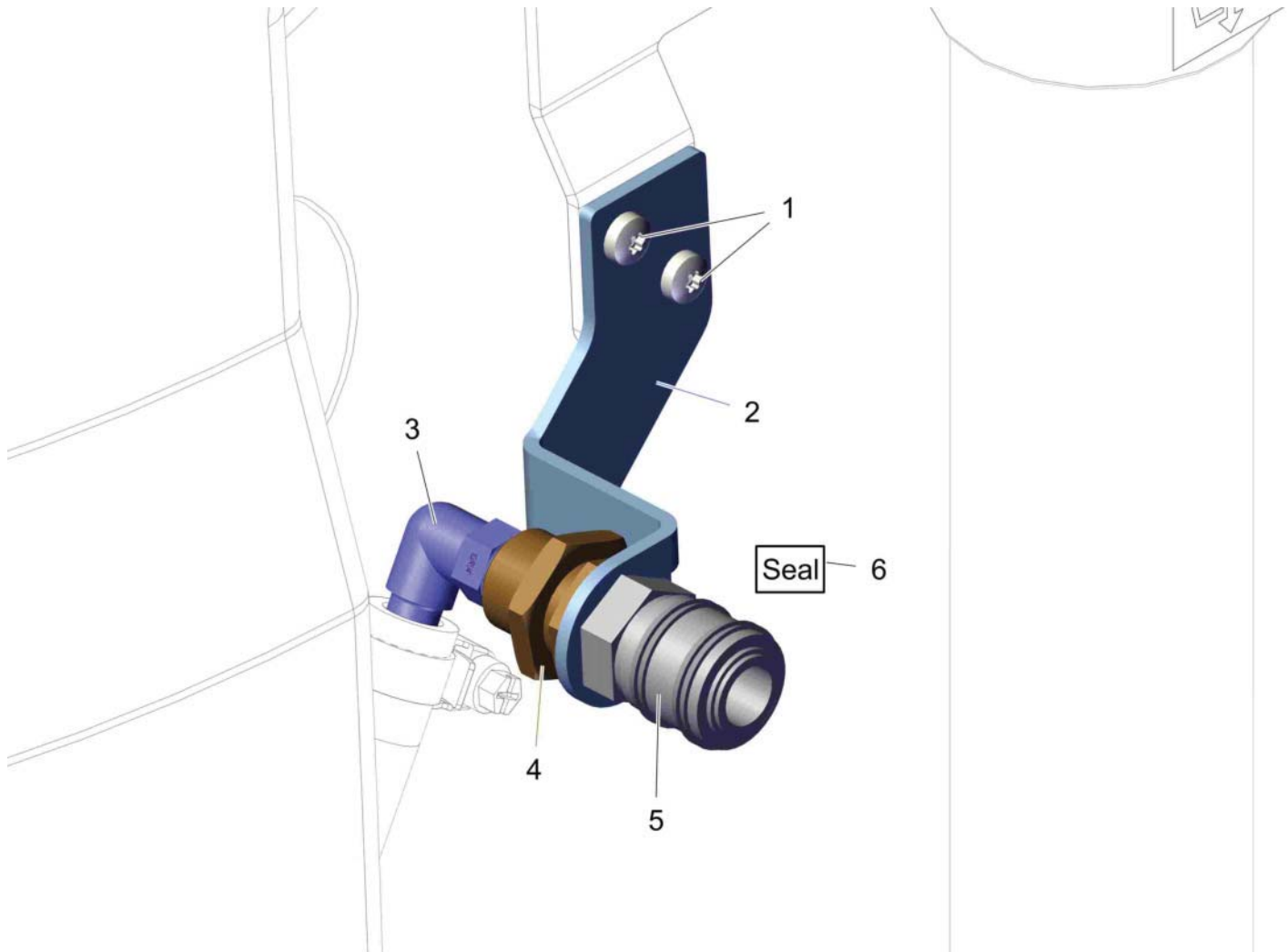
Item	Part number	Description	Qty.	Unit	Remarks
1	01372930	recruitment guide	1		
2	97140479	Rope assembly	1		
3	01370110	lifting element	1		
4	01370970	hexagon srew	1		
5	00135120	Washer	2		
6	01015400	Pipe	0,100		
7	00053330	Hex. Nut	1		
8	00072440	Circlip	2		
9	01370680	bushing	4		
10	01072930	Slide bearing bush	2		
11	01371000	bolt	1		
12	00053150	Hex.bolt	1		
13	00042900	Washer	2		
14	01370980	rope assurance	2		
15	00521270	Roller	2		
16	01372810	pipe	1		
17	00051510	Hex. Nut	1		

Rope assembly (97140479)



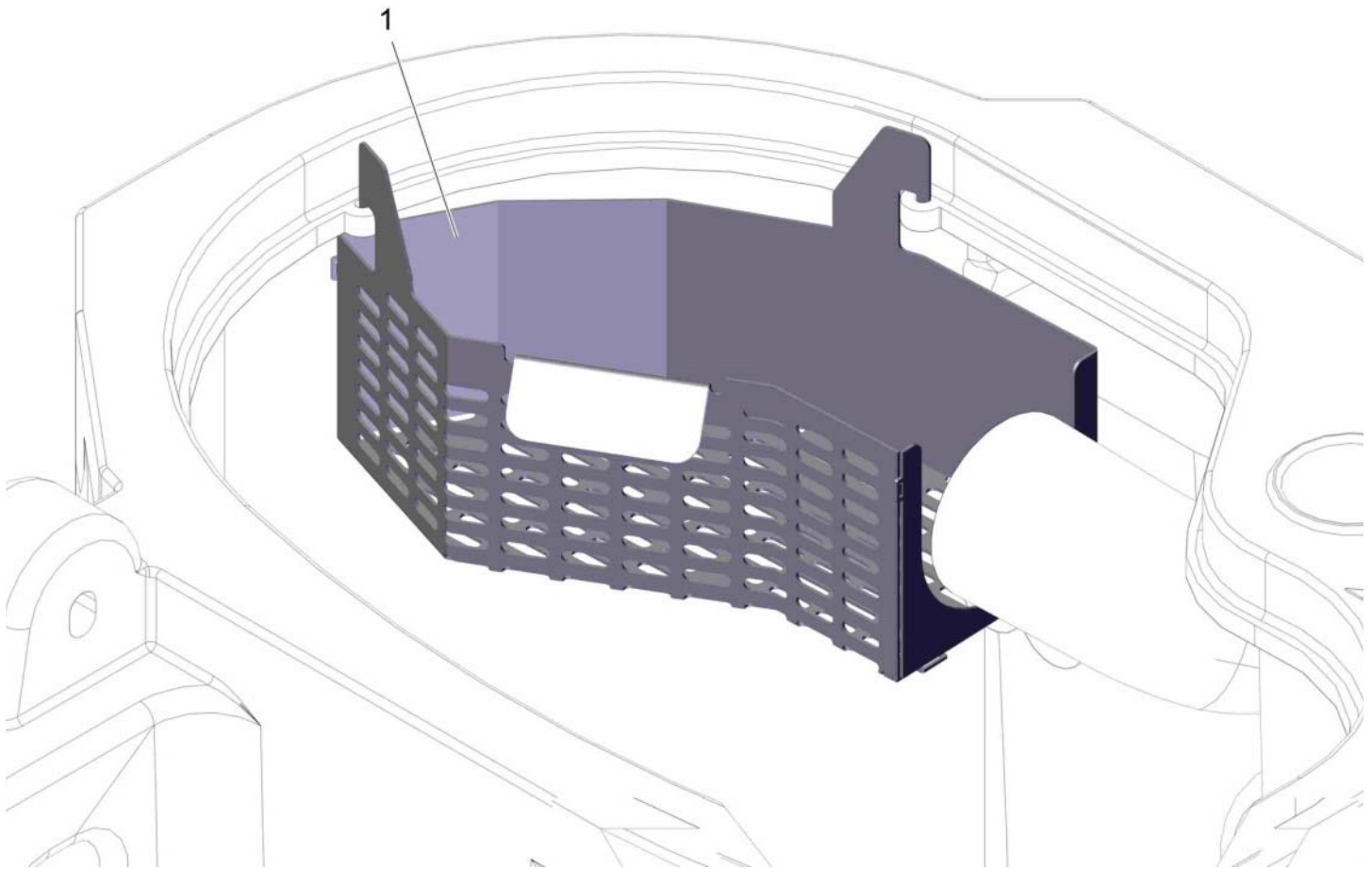
Item	Part number	Description	Qty.	Unit	Remarks
1	00737670	Slide bearing	2		
2	01371090	tension spring	2		
3	00023290	Thrust washer	4		
4	00736570	Bolt	4		
5	01371080	lug	1		
6	00862430	Bushing	2		
7	01371060	rope	1		
8	01371040	screw	2		
9	01371070	cable guide	2		
10	01371050	roller assembly	1		

Preliminary parts for spraying tools at tank (97150296)



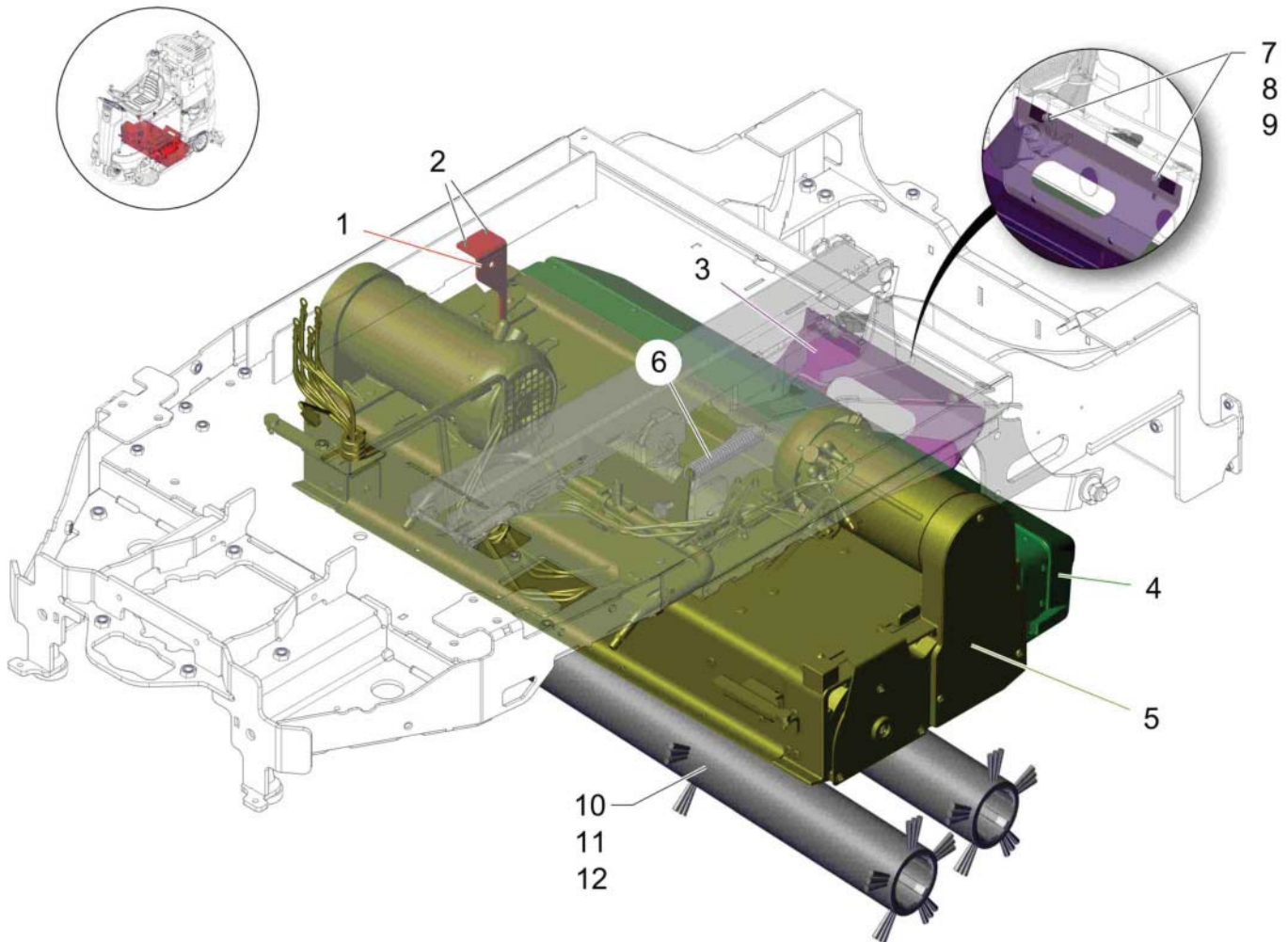
Item	Part number	Description	Qty.	Unit	Remarks
1	00959220	Screw	2		
2	01373100	connecting angle	1		
3	01090430	Screwed angle fitting	1		
4	01016090	Bulkhead union	1		
5	00552590	Quick hitch	1		
6	03007630	Sealing band (spool with 12m)	0,070		

Rough mud strainer (97143929)



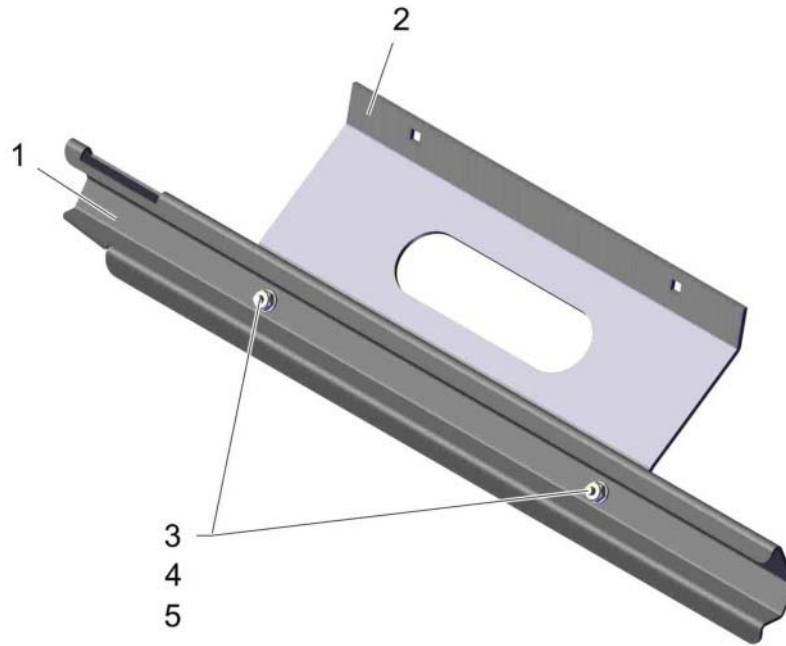
Item	Part number	Description	Qty.	Unit	Remarks
1	---	Spare part on request	1		96162896 rough mud strainer

Cylindrical brush head 850 (97144182)



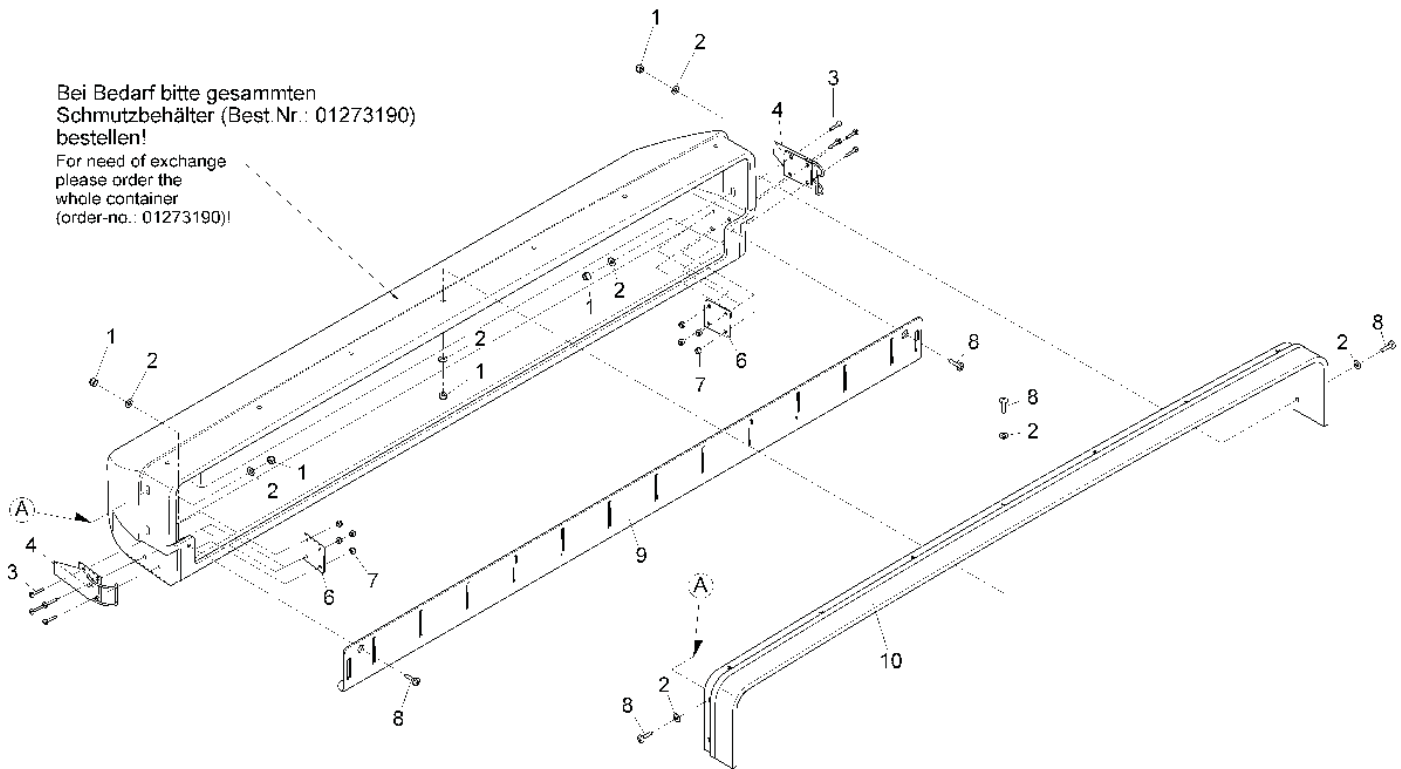
Item	Part number	Description	Qty.	Unit	Remarks
1	01373440	indicator	1		
2	00959220	Screw	2		
3	97147946	Retainer dirt container	1		
4	01273190	Dirt container	1		
5	97141709	Cylindrical brush head	1		
6	01055930	Tension spring	1		
7	00076540	Round head screw	2		
8	00053730	Washer	2		
9	00051520	Hex. Nut	2		
10	99768100	set of cyl. brushes 850 PA6-0,7	1		Degree of soiling light to medium, PA 6 - 0,7
11	99768200	set of cyl. brushes 850 SIC K500	1		Degree of soiling medium to heavy, structured flooring, SIC PA 6. 12, Kom 500
12	99768300	set of cyl. brushes 850 SIC K180	1		Very heavy soiling and basic cleaning, SIC PA 6. 12, Kom 180

Retainer dirt container (97147946)



Item	Part number	Description	Qty.	Unit	Remarks
1	01372970	guide bar	1		
2	01373200	dirt container guide	1		
3	00076540	Round head screw	2		
4	00053730	Washer	2		
5	00051520	Hex. Nut	2		

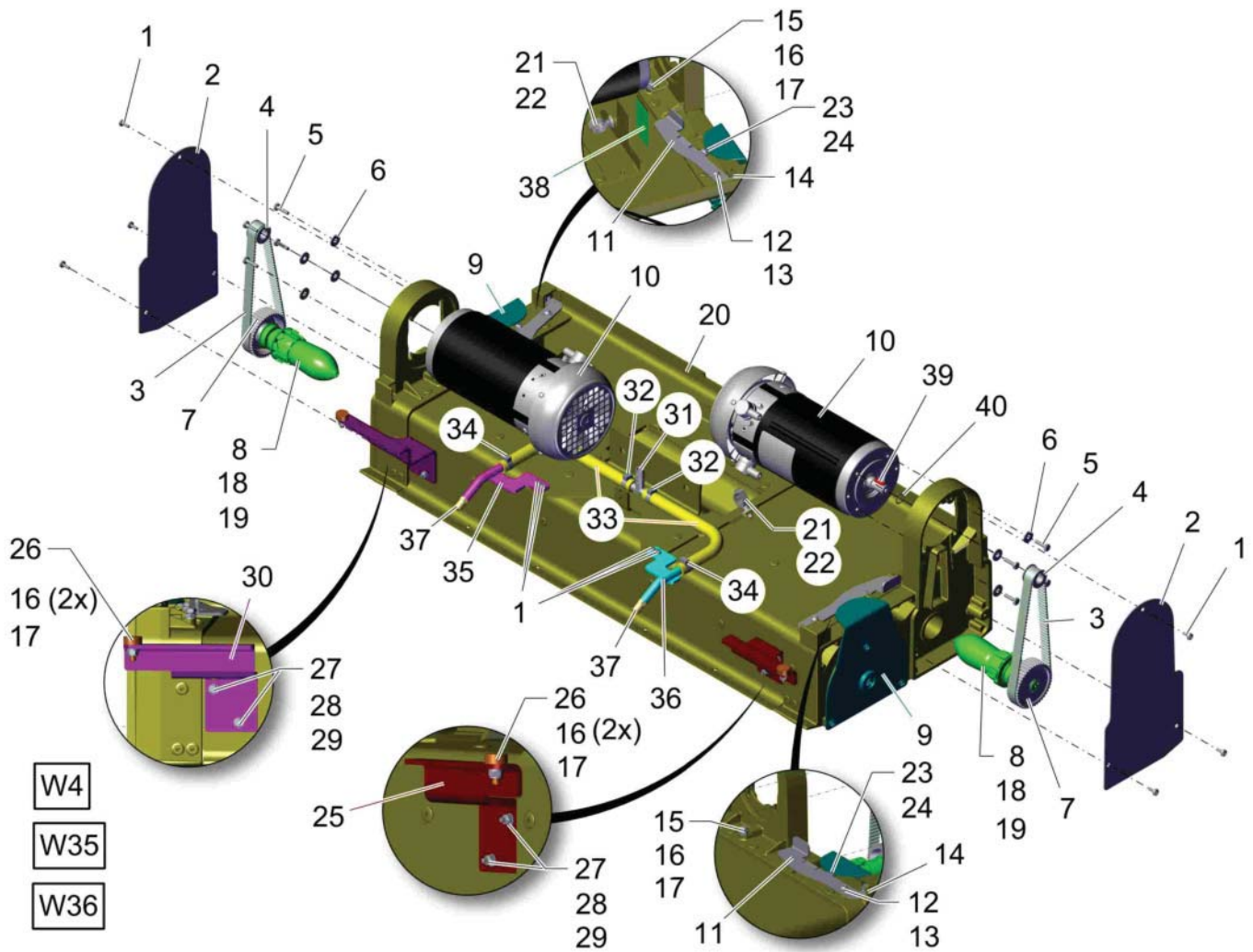
Dirt container (01273190)



Bei Bedarf bitte gesamten
Schmutzbehälter (Best.Nr.: 01273190)
bestellen!
For need of exchange
please order the
whole container
(order-no.: 01273190)!

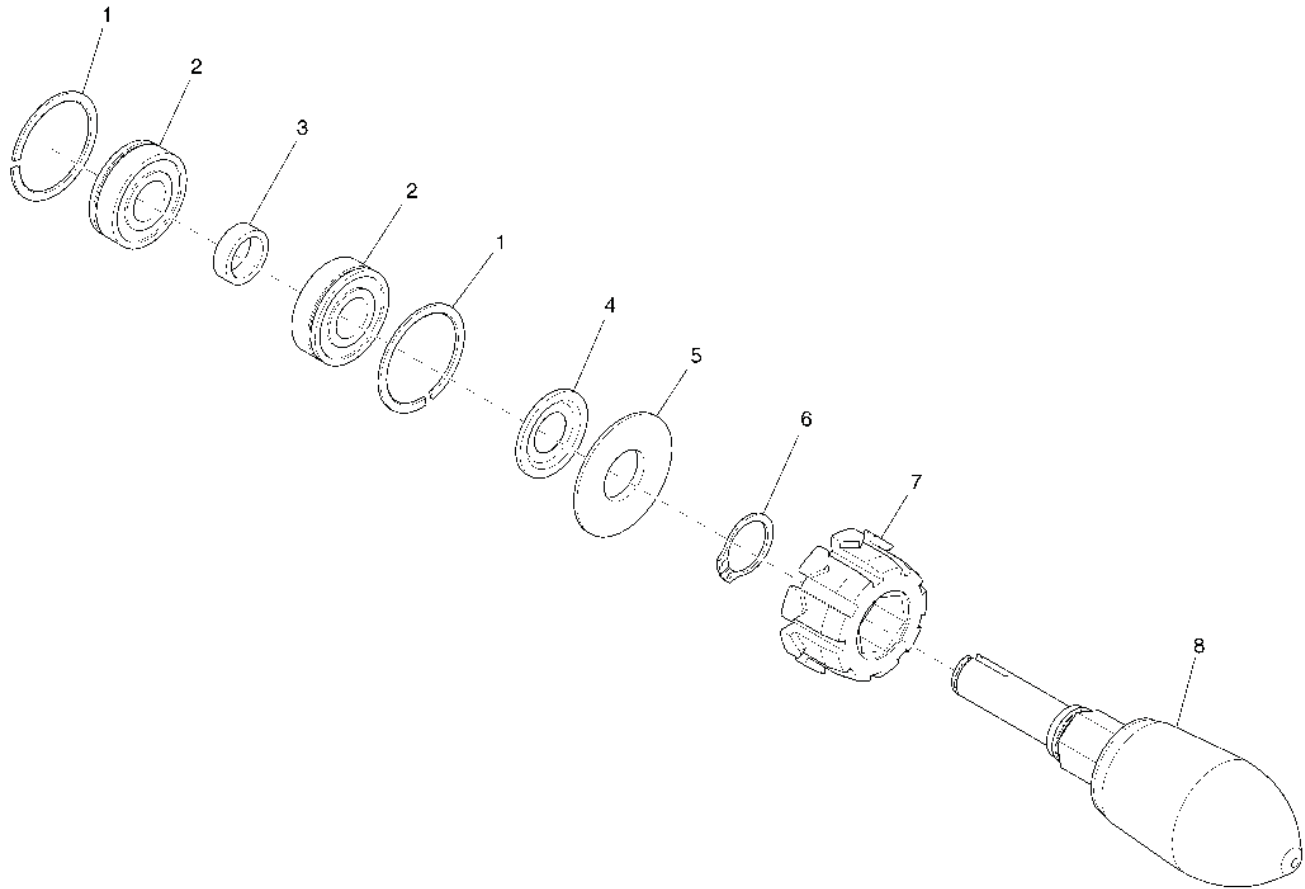
Item	Part number	Description	Qty.	Unit	Remarks
1	00970190	Hex. Nut	13		
2	00874720	Washer	24		
3	01072230	Fillister-head screw	8		
4	01072220	Lock	2		
6	01076250	Plate	2		
7	01072270	Hex. Nut	8		
8	01072260	Fillister-head screw	13		
9	01272960	Sheet metal apron	1		
10	01272950	Broom rail	1		

Cylindrical brush head (97141709)



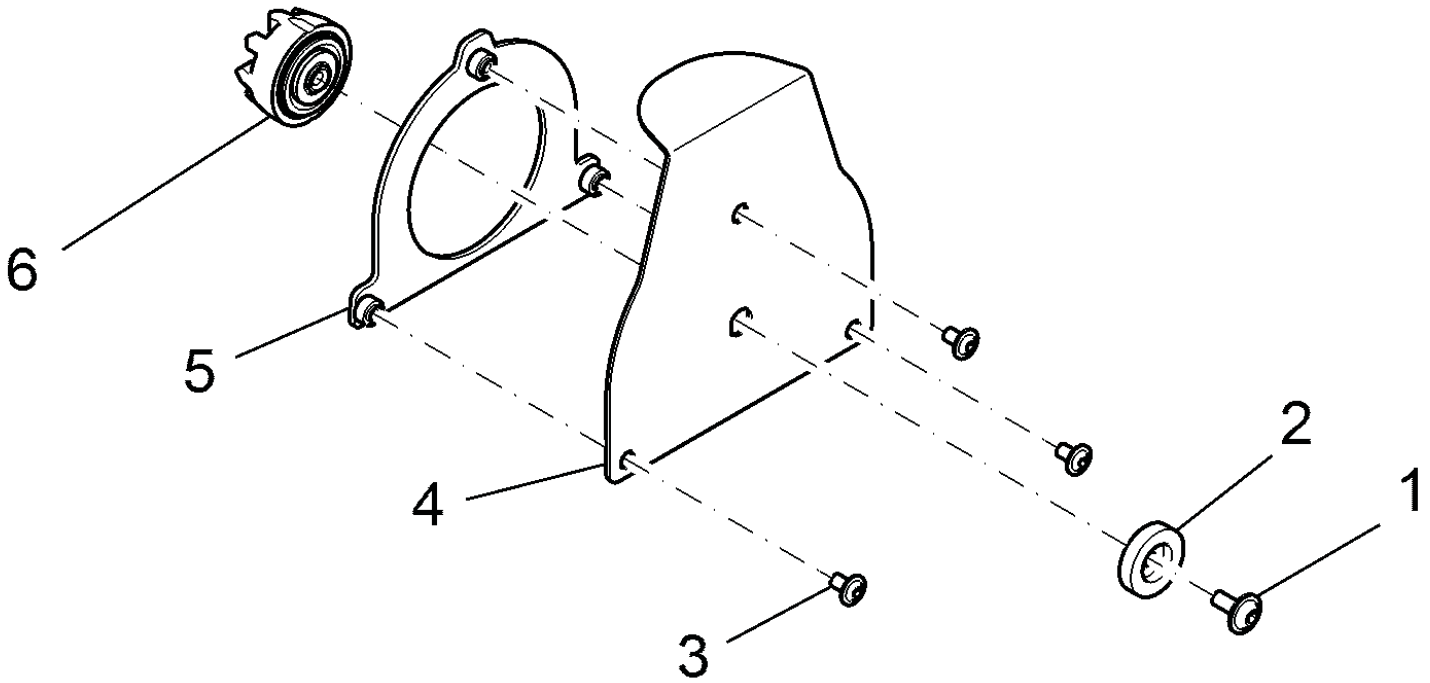
Item	Part number	Description	Qty.	Unit	Remarks
1	00959220	Screw	10		
2	01272860	Sheet metal	2		
3	01072540	Toothed belt	2		
4	01072460	Toothed belt pulley	2		
5	00053020	Hexagon screw	8		
6	00135120	Washer	8		
7	01072570	Toothed belt pulley	2		
8	01072560	Carrier, cpl.	1		
9	01072550	Side cover, cpl.	1		
10	01372220	motor	2		
11	01272890	Lever	2		
12	01072520	Lens flange screw	2		
13	01073360	Bushing	2		
14	00550870	Cyl.compression spring	2		
15	00053010	Hex.bolt	2		
16	00053730	Washer	10		
17	00135790	Hex. Nut	4		
18	01072580	Feather key	2		
19	00022340	Retaining ring	2		
20	03022950	roll brush head 850	1		
21	01370250	retainer	2		
22	01370240	mounting feet	2		
23	00552300	Fillister-head screw	2		
24	00902250	Hex. Nut	2		
25	01373700	driver L.H.	1		
26	00127470	Buffer	2		
27	01081260	Socket head screw	4		
28	00902270	Washer	4		
29	01017660	Hex. Nut	4		
30	01372750	driver R.H.	1		
31	00976160	T-piece	1		
32	01376430	hose clamp	2		
33	00112010	Hose	0,490		
34	01015350	Hose clamp	2		
35	01273130	Pipe R.H.	1		
36	01273120	Pipe L.H.	1		
37	01072640	Jet	2		
38	01371930	decal ABRASION	1		
39	00022430	Feather key	2		
40	00022440	Retaining ring	2		
W4	03020380	wiring harness W4	1		
W35	03020480	wiring harness W35	1		
W36	03020540	wiring harness W36	1		

Carrier, cpl. (01072560)



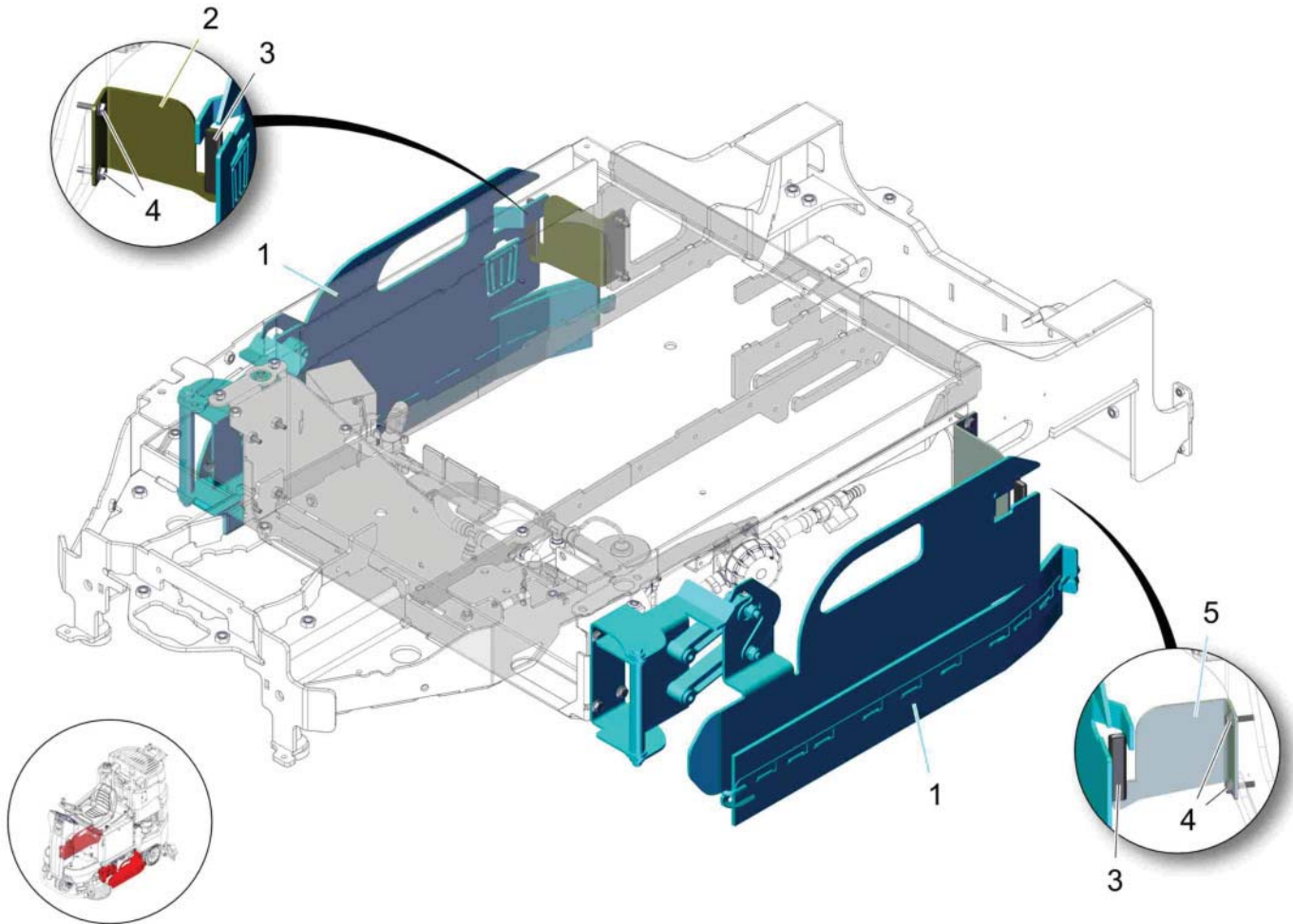
Item	Part number	Description	Qty.	Unit	Remarks
1	01078820	Circlip	2		
2	01076560	Grooved ball bearing	2		
3	01077520	Bushing	1		
4	00124220	Ring	1		
5	01077550	Bushing	1		
6	00054310	Retaining ring	1		
7	01077540	Bushing	1		
8	01077530	Retainer	1		

Side cover, cpl. (01072550)



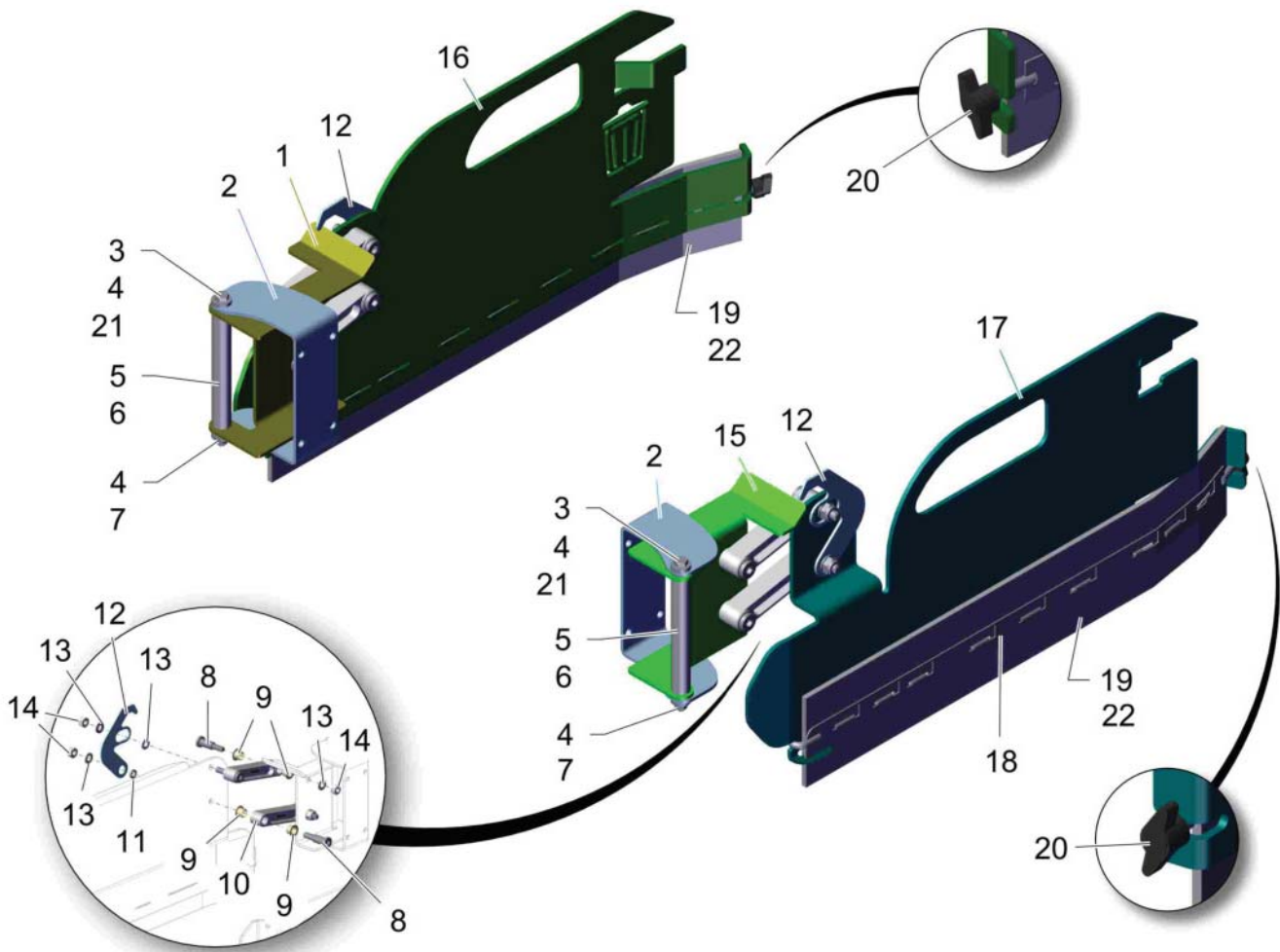
Item	Part number	Description	Qty.	Unit	Remarks
1	01074320	Lens flange screw	1		
2	01074330	Washer	1		
3	01072520	Lens flange screw	3		
4	01078760	Side cover	1		
5	01078770	Centering bend	1		
6	01074340	Counter bearing	1		

Side wiper cylindrical brush head 850 (97144158)



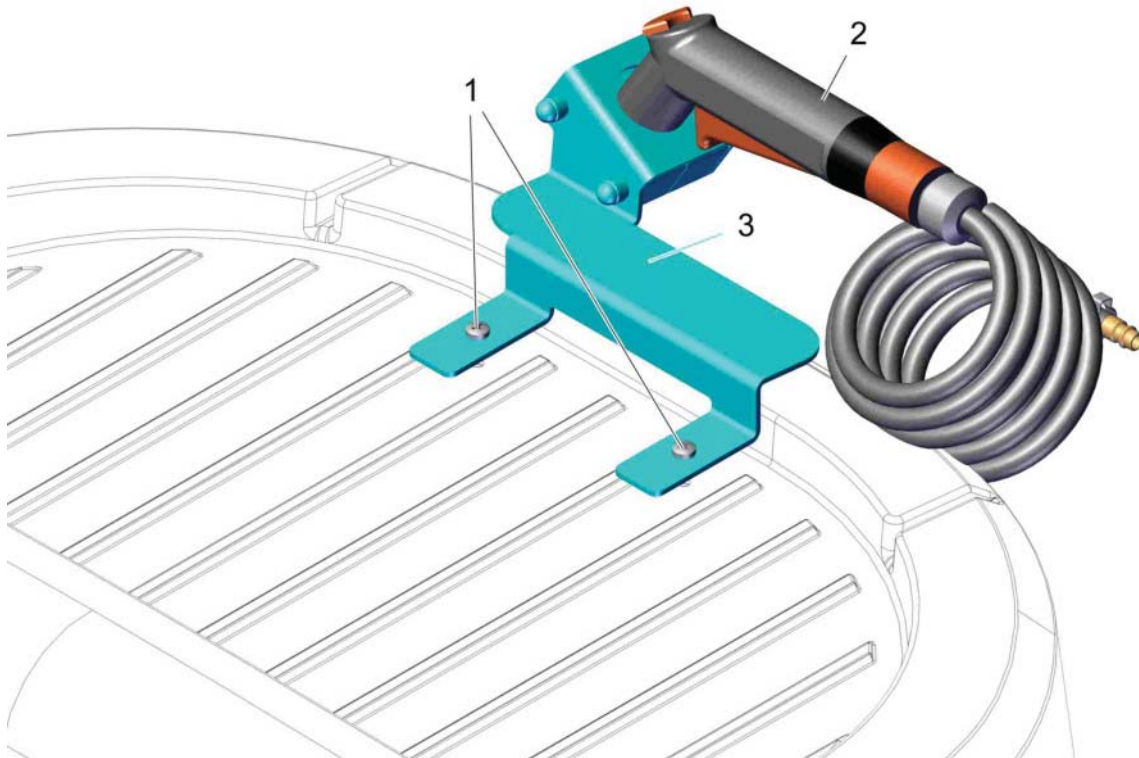
Item	Part number	Description	Qty.	Unit	Remarks
1	97144695-97144596	Side wiper R.H. + L.H.	1		
2	01373380	side skimmer guide right	1		
3	01132510	Hose	0,080		
4	00959230	Hex.bolt	12		
5	01373140	side squeegee guide L.H.	1		

Side wiper R.H. and L.H. (97144695-97144596)



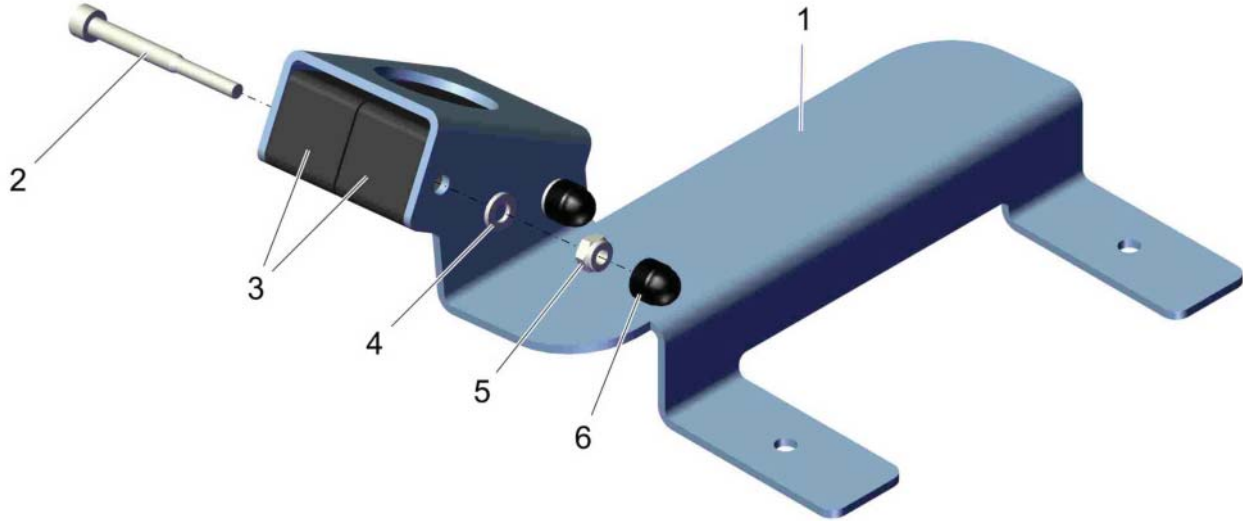
Item	Part number	Description	Qty.	Unit	Remarks
1	01373250	swinging arm right	1		
2	01372910	steady arm	1		
3	01375040	hexagon screw	2		
4	00695300	Washer	4		
5	01373400	tube	2		
6	00460890	Hose	0,140		
7	00051510	Hex. Nut	2		
8	01374100	fitting screw	8		
9	01073860	Slide bearing bush	16		
10	01073870	Lever	4		
11	01074210	Bushing	2		
12	01373670	hook	2		
13	00053760	Washer	8		
14	00051500	Hex. Nut	8		
15	01372840	swivel arm L.H.	1		
16	01373370	squeegee R.H. (circular brush head)	1		
17	01373330	squeegee L.H. (circular brush head)	1		
18	---	Spare part on request	2		96157813 clamping sheet metal
19	01073890	squeegee strip	2		Standard version
20	01111970	Wing nut	2		
21	01130080	Slide bearing bush	4		
22	01077050	Squeegee strip	2		highly wear resistant

Spraying nozzle (97142384)



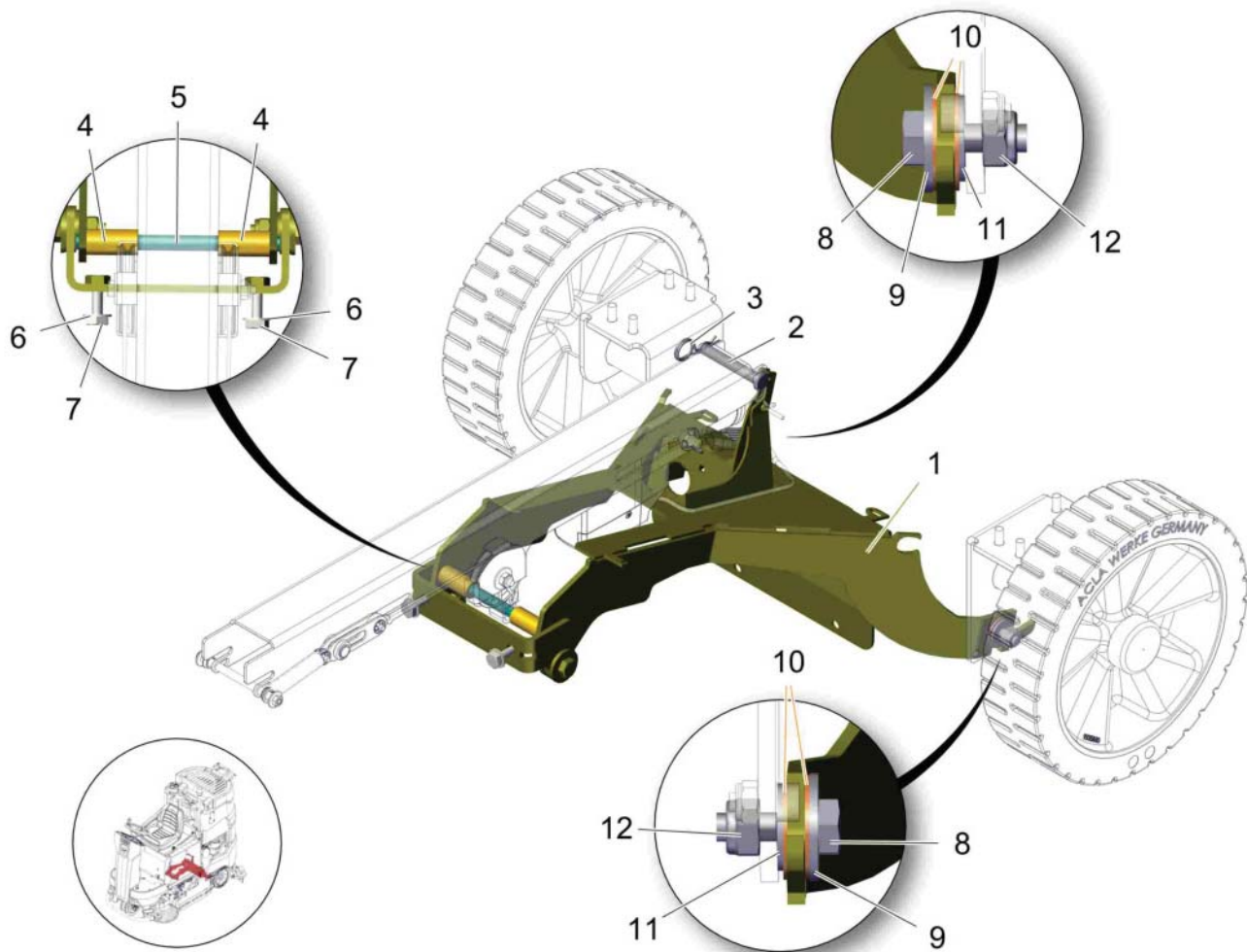
Item	Part number	Description	Qty.	Unit	Remarks
1	00873910	Truss head screw	2		
2	01372240	spray pistol with hose	1		
3	97147334	Retainer spraying nozzle	1		

Retainer spraying nozzle (97147334)



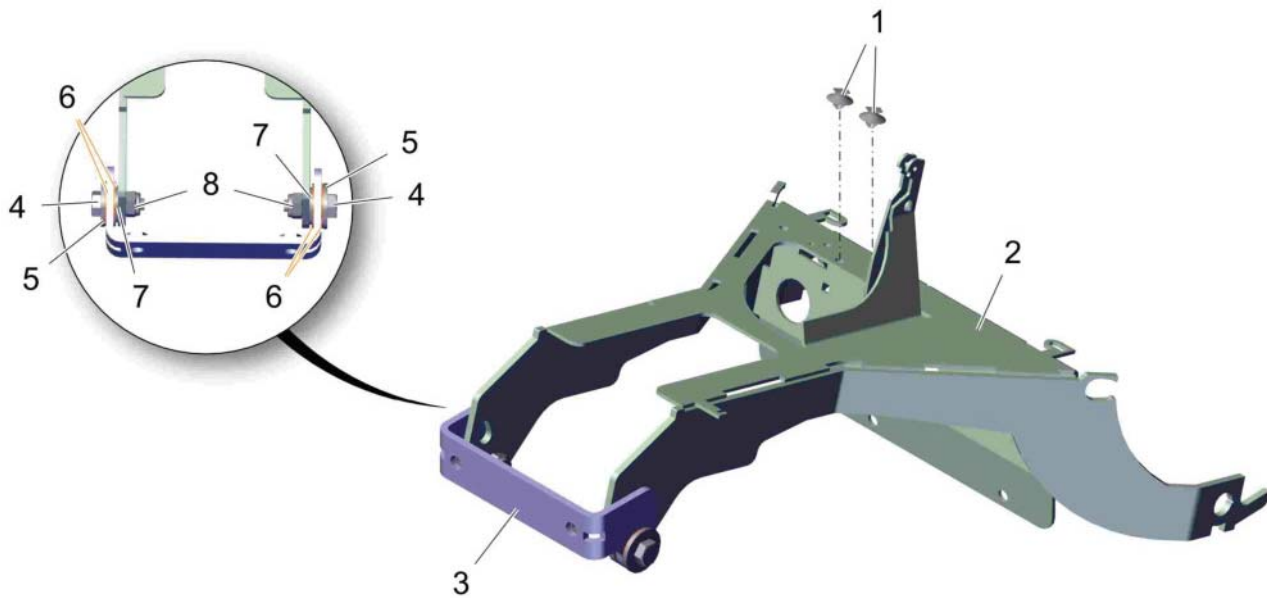
Item	Part number	Description	Qty.	Unit	Remarks
1	01373710	retainer	1		
2	01271540	Socket head screw	2		
3	01477410	pair of clamping	1		
4	00053730	Washer	2		
5	00051520	Hex. Nut	2		
6	00525910	Lens cap	2		

Lifting brush aggregates (97141675)



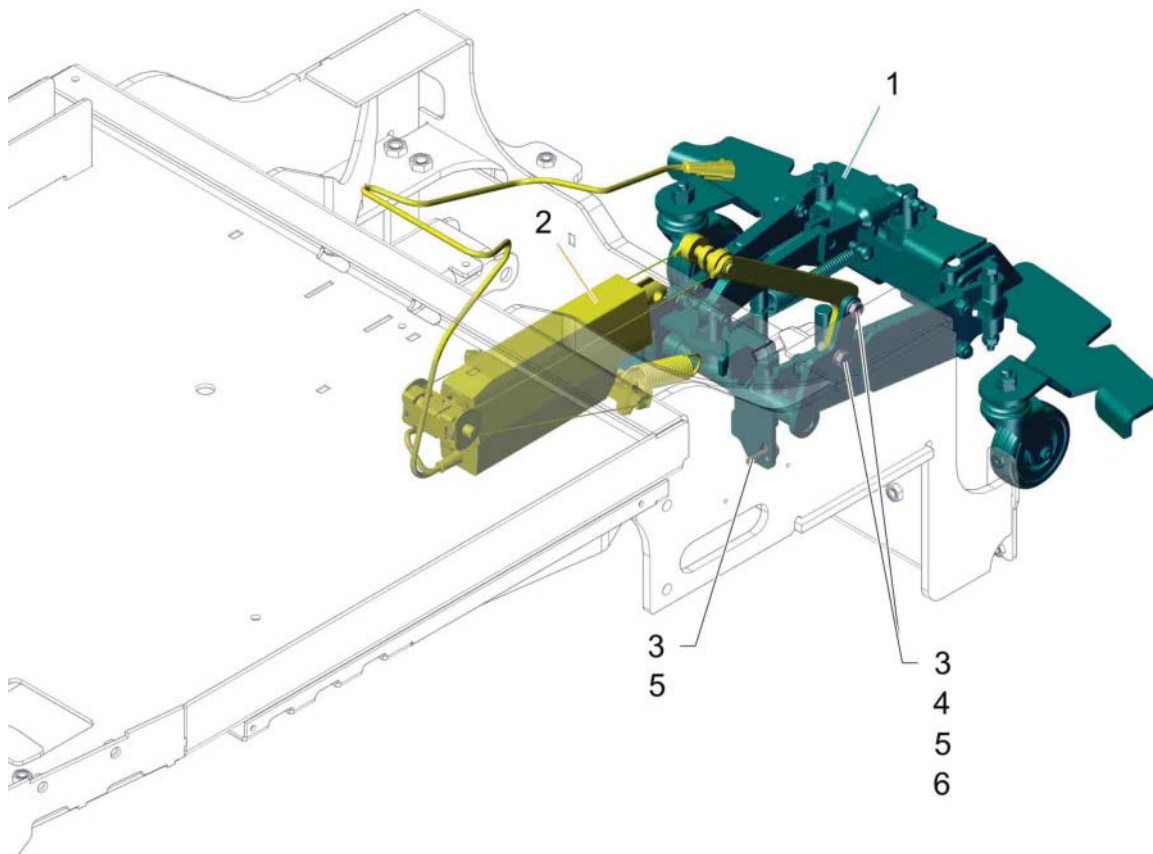
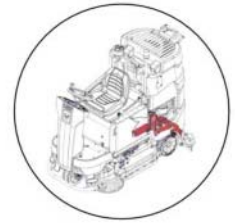
Item	Part number	Description	Qty.	Unit	Remarks
1	97135271	Rocker	1		
2	00879630	Bolt	1		
3	00744820	Cotter pin	1		
4	00200170	PVC hose	0,080		
5	01372890	bolt	1		
6	00740290	Detent edged washer	2		
7	00053310	Hexagon screw	2		
8	00155830	Hexagon screw	2		
9	00132610	Washer	2		
10	01133780	Starting disk	4		
11	01373550	bushing	2		
12	00051490	Hex. Nut	2		

Rocker (97135271)



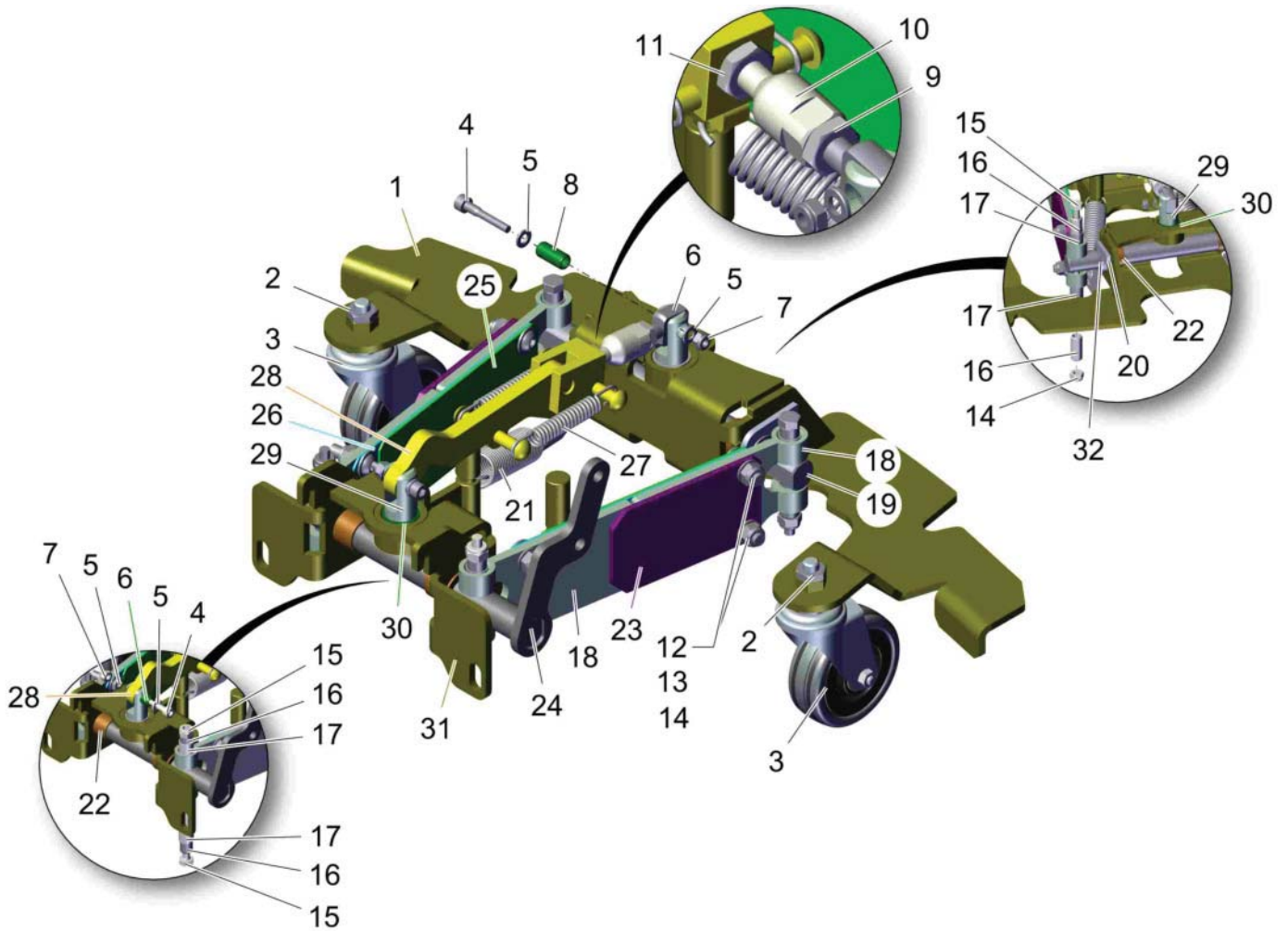
Item	Part number	Description	Qty.	Unit	Remarks
1	01278080	Mounting clip	2		
2	01373920	rocker	1		
3	01373840	brush head guide	1		
4	00155830	Hexagon screw	2		
5	00132610	Washer	2		
6	01133780	Starting disk	4		
7	01373550	bushing	2		
8	00051490	Hex. Nut	2		

Squeegee linkage group (97139935)



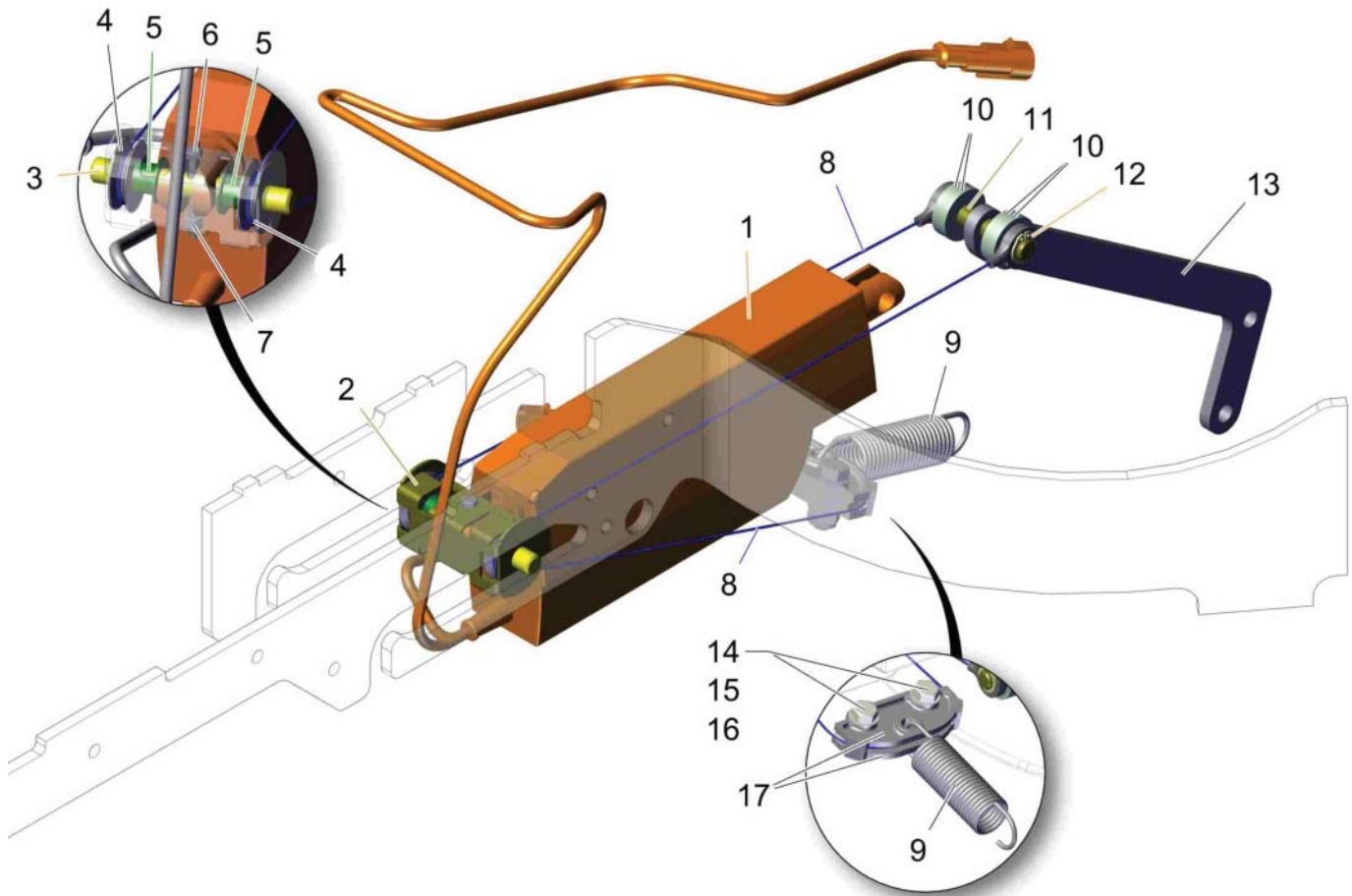
Item	Part number	Description	Qty.	Unit	Remarks
1	03021740	Squeegee linkage group	1		
2	97142525	Lifting element	1		
3	00053100	Hexagon screw	4		
4	00053750	Washer	2		
5	00740090	Detent edged washer	4		
6	00051510	Hex. Nut	2		

Squeegee linkage group (03021740)



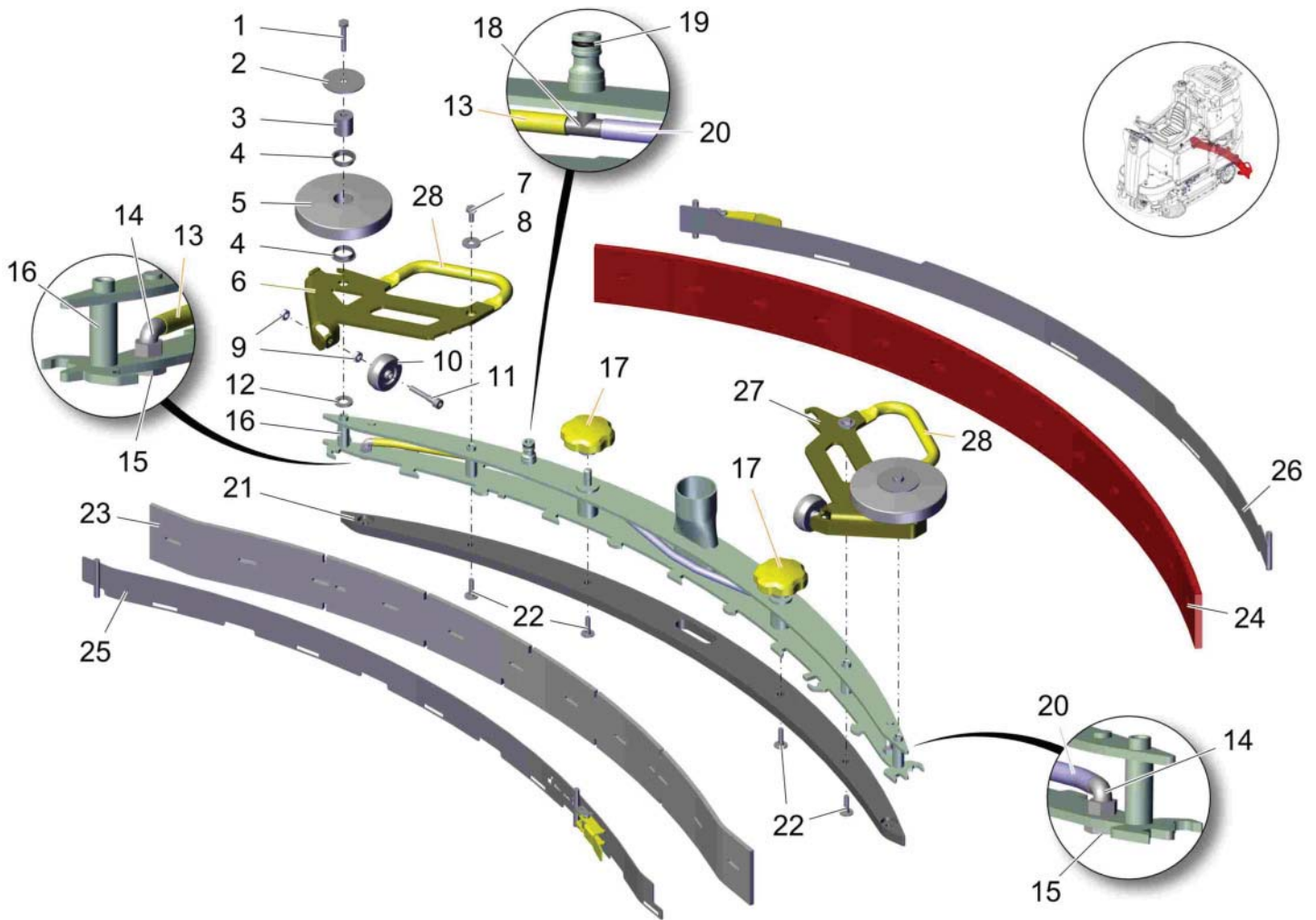
Item	Part number	Description	Qty.	Unit	Remarks
1	01372500	base plate	1		
2	00074710	Hex. Nut	2		
3	01371420	steering roller	2		
4	01278920	Socket head screw	2		
5	00102150	Washer	4		
6	01373090	joint	1		
7	00102140	Hex. Nut	2		
8	01373280	bushing	2		
9	01375180	hexagon nut	1		
10	01373080	adjustment bushing	1		
11	01380340	hexagon nut	1		
12	01164420	Lens flange screw	8		
13	01226400	Detent edged washer	8		
14	00101540	Hex. Nut	12		
15	01371360	hexagon screw	4		
16	01373460	spacer sleeve	8		
17	00077900	DU-Drying socket	8		
18	01373730	adapter	4		
19	01372720	shaft	1		
20	01372860	indicator	2		
21	01077710	Tension spring	2		
22	01377290	slide bearing bush	4		
23	01373240	guide	2		
24	01373800	shaft	1		
25	01371600	leaf spring	2		
26	01371520	leaf spring	2		
27	01371560	tension spring	2		
28	01371620	fork head	1		
29	01371570	fork head	2		
30	00734550	DU-Drying socket	2		
31	01373780	stop	1		
32	01370230	circlip	2		

Lifting element (97142525)



Item	Part number	Description	Qty.	Unit	Remarks
1	01375050	lifting element	1		
2	01373500	rope guide	1		
3	01373490	pin	1		
4	01373580	roller guide	2		
5	01078360	Slide bearing bush	2		
6	01079890	Hexagon screw	1		
7	01017660	Hex. Nut	1		
8	01371430	rope	1		
9	01373590	tension spring	1		
10	00855380	Washer	4		
11	01373520	pin	1		
12	00103230	Retaining ring	2		
13	01373510	lever	1		
14	00053100	Hexagon screw	2		
15	00053750	Washer	4		
16	00051510	Hex. Nut	2		
17	01371070	cable guide	2		

Suction unit 1100mm, cpl. (01378910)



Item	Part number	Description	Qty.	Unit	Remarks
1	00059460	Hex.bolt	2		
2	01178290	Conical spring washer	2		
3	01373050	pipe	2		
4	01376740	slide bearing bush	4		
5	01371490	deflector	2		
6	01373130	deflector bow 1100mm R.H.	1		
7	01071740	Hex.bolt	2		
8	00902280	Washer	2		
9	00971400	Hex. Nut	4		
10	01371530	steering roller	2		
11	01019860	Socket head screw	2		
12	01228240	Washer	2		
13	00711670	Hose	0,210		
14	01090220	Angle screwing	2		
15	01375180	hexagon nut	2		
16	01373850	suction unit 1100mm	1		
17	01371630	star handle yellow	2		
18	01371690	T-screwing in connecting piece	1		
19	01185240	O-ring	1		
20	00711670	Hose	0,760		
21	01371790	enclosure 1100	1		
22	01164420	Lens flange screw	4		
23	01371780	slot strip	1		
23	01372110	slot strip, highly wear-resistant	1		
24	01372330	sealing strip	1		
25	01371950	tension band front	1		
26	01371830	tension band rear	1		
27	01372850	deflector bow 1100mm L.H.	1		
28	01371540	handle	2		

PowerBoss[®]
The Power of Clean

'The Power of Clean'

**PowerBoss® is a Full Line Manufacturer of Sweepers and Scrubbers,
for Industrial Facilities.**

PowerBoss®, Minuteman International, Inc. 14N845 U.S. Route 20 Pingree Grove, Illinois 60140
Phone: 800-323-9420 www.PowerBoss.com Email: tech@powerboss.com
A Member of the Hako Group

SM3346CSB Rider Scrubber #988786 Rev A 07/21
PowerBoss® Copyright 2021